



Series J Hydraulic Cylinder Jack



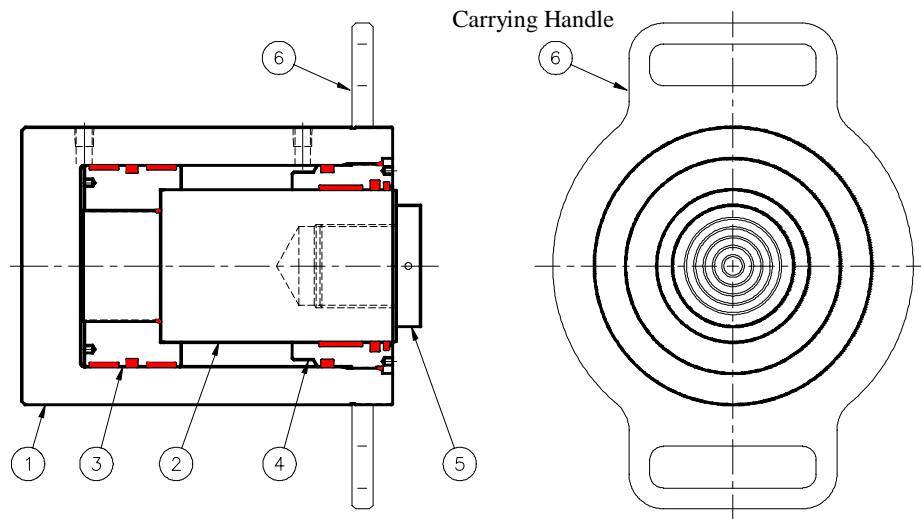
Pressure: 10,000 psi Working
Bore Sizes: 2.00" to 8.25"
Rod Sizes: 1.75" to 6.50"
Ports: 3/8" NPT

Series J Cylinder

Our Series J cylinders are designed for high tonnage jacking applications. Rated to operate up to 10,000 psi, they feature quality construction in a compact package. They are a double acting cylinder, therefore they can be used to push and also pull a load if needed.

FEATURES:

- Threaded piston and head gland
- Hard chrome plated rod
- Hardened, threaded and removable saddle in the rod end
- Threaded barrel end will carry full load for mounting
- Available in a pancake style
- Optional carrying handle

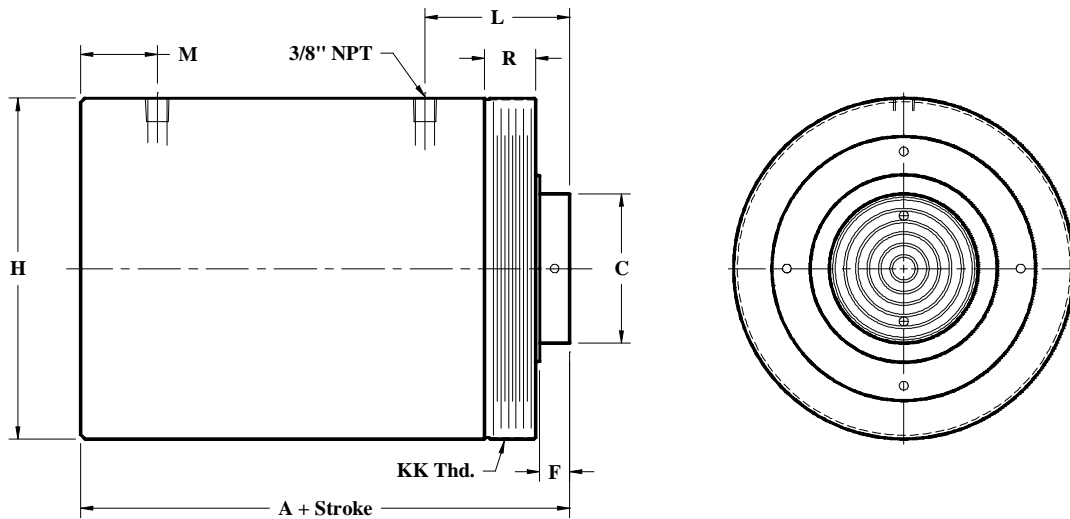


PART NUMBERS			Item 1	Item 2	Item 3	Item 4	Item 5	Item 6	
Bore	Rod	Push Force (Tons)	Barrel	Rod	Piston	Gland	Saddle	Carrying Handle	Seal Kit
2 1/2	1 3/4	24.54	Part Number is Model number and Stroke Followed by: B for barrel R for rod		B3909	B3900	B3918-1	B3919-1	12754
3	2 1/4	35.33			B3910	B3901	B3918-2	B3919-2	12755
3 1/2	2 1/2	48.10			B3911	B3902	B3918-3	B3919-3	12756
4	3	62.83			B3912	B3903	B3918-4	B3919-4	12757
4 1/2	3 1/4	79.52			B3913	B3904	B3918-5	B3919-5	12758
5	4	98.18			B3914	B3905	B3918-6	B3919-6	12759
6 1/4	4 1/2	153.40			B3915	B3906	B3918-7	B3920-1	12760
7 1/4	5 1/2	206.41			B3916	B3907	B3918-8	B3920-2	12761
8 1/4	6 1/2	267.28			B3917	B3908	B3918-9	B3920-3	12762

Series J Cylinder

Basic cylinder

As a standard the cylinder will come with a threaded saddle in the end of the rod. It is possible to supply a special purpose saddle to suit a particular application. This can either be threaded into the rod or welded to the rod end.



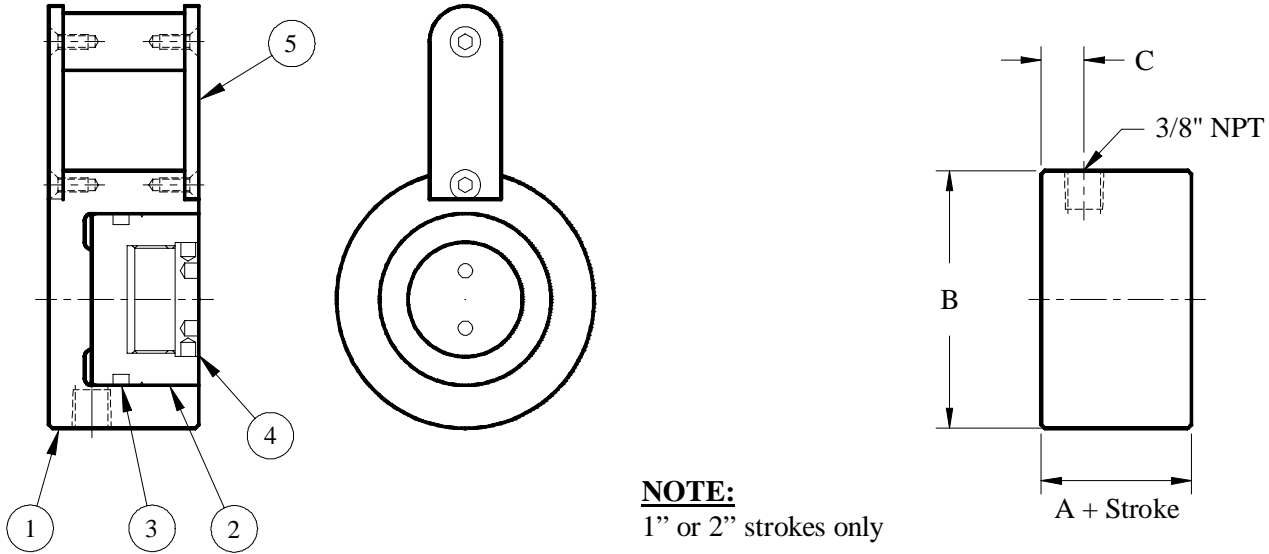
Bore	Rod	A	F	C	H	L	M	R	KK
2 1/2	1 3/4	6.06	0.38	1.44	3.50	2.38	1.13	1.00	3.50-12
3	2 1/4	6.38	0.38	1.69	4.00	2.50	1.38	1.00	4.00-12
3 1/2	2 1/2	6.81	0.50	2.19	4.75	2.63	1.50	1.00	4.75-12
4	3	7.38	0.63	2.69	5.50	2.75	1.63	1.00	5.50-12
4 1/2	3 1/4	7.50	0.63	2.88	6.00	2.75	1.75	1.00	6.00-12
5	4	8.63	0.63	3.44	7.00	3.13	2.00	1.00	7.00-12
6 1/4	4 1/2	9.69	0.75	3.75	8.50	3.25	2.13	1.50	8.50-12
7 1/4	5 1/2	10.38	0.88	4.38	10.00	3.25	2.25	1.50	10.00-12
8 1/4	6 1/2	10.88	1.00	5.38	11.00	3.38	2.50	1.50	11.00-12

Series J Cylinder

Pancake style cylinder

The pancake cylinders are meant for short stroke straight lift applications. They are a single acting cylinder operating at 10,000 psi. and would generally be operated by a manual pump. The rod is inserted directly into the barrel without any head gland holding it in place. As such the operator must be careful not to pump the rod out of the barrel. There is a line machined into the rod to mark the safe limit of the extension. A carrying handle is standard. Strokes are either 1" or 2" only.

These cylinders are ideal for construction work, machinery lifts and emergency rescue work.



NOTE:
1" or 2" strokes only

PART NUMBERS.		Item 1	Item 2	Item 3	Item 4	Item 5			
Bore	Push Force (Tons)	Barrel	Rod	Seal	Saddle	Carrying Handle	A	B	C
2	15.71	Part Number is Model number and Stroke Followed by: B for barrel R for rod		12763	B3921-1	B3922-1	1.38	3.50	0.50
3	35.33			12764	B3921-2	B3922-2	1.63	4.50	0.75
3 5/8	51.60			12765	B3921-3	B3922-3	2.00	5.50	0.75