



Series LB Hydraulic Cylinder Large Bore



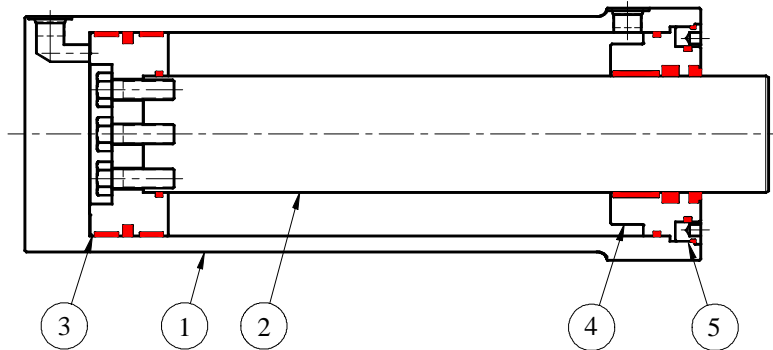
Pressure: 3,000 psi Working
4,000 psi Non-Shock
Bore Sizes: 9.00" to 24.25"
Rod Sizes: 5.00" to 20.00"
Ports: #16 ORB
Attachments: Spherical Bearings
Welded eye
Cross Hole

Series LB Cylinder

Our Series **LB** is a large bore double acting cylinder. They have a 3,000 psi working pressure rating and a 4,000 psi non-shock pressure rating. They are designed for a multitude of applications where a large force is required. Higher working pressures are available on request.

FEATURES:

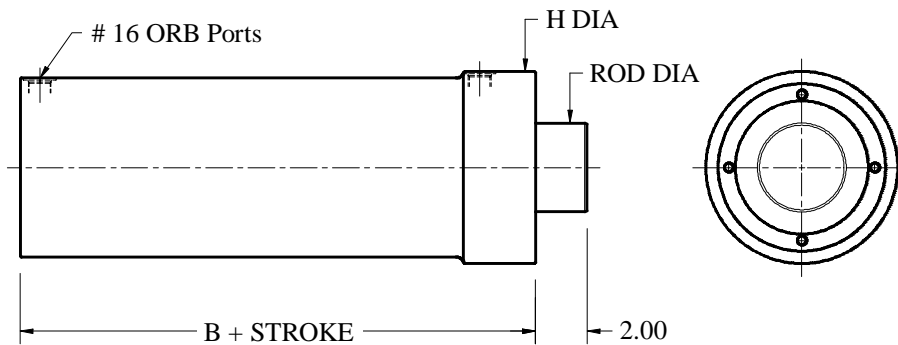
- The head gland is held in place with a threaded ring. This makes for simpler installation and removal.
- A thick ring is welded to the end of the barrel. This ensures that the barrel end will not expand under pressure, causing seal leakage or the threaded ring to loosen.
- The piston is fastened to the end of the rod with a ring of bolts. This provides for easier installation and removal than if the piston was threaded on or held with one large nut.
- C1045 hard chrome plated rod. May be hollow in larger sizes.



PART NUMBERS			Item 1	Item 2	Item 3	Item 4	Item 5
Bore	Rod Min.	Rod Max.	Barrel	Rod	Piston	Gland	Ring
9	5	6	Part Number is Model number and Stroke Followed by: B for barrel R for rod		B3812-90	B3792	B3807-90
10	5	7			B3812-100	B3924	B3807-100
11 1/4	6	8			B3812-113	B3925	B3807-113
12 1/4	6	9			B3812-123	B3717	B3807-123
13 1/4	7	10			B3812-133	B3926	B3807-133
14 1/4	7	11			B3812-143	B3927	B3807-143
15 1/4	8	12			B3812-153	B3928	B3807-153
16 1/4	9	13			B3812-163	B3929	B3807-163
18 1/4	10	15			B3812-183	B3930	B3807-183
19 1/4	11	16			B3812-193	B3931	B3807-193
20 1/4	12	17			B3812-203	B3932	B3807-203
22 1/4	12	18			B3812-223	B3933	B3807-223
24 1/4	14	20			B3812-243	B3934	B3807-243

Series LB Cylinder

Basic Cylinder



Bore	Rod Dia							B	H
9.00	5.00	6.00	—	—	—	—	—	10.38	11.00
10.00	5.00	6.00	7.00	—	—	—	—	11.88	12.50
11.25	6.00	7.00	8.00	—	—	—	—	12.25	14.00
12.25	6.00	7.00	8.00	9.00	—	—	—	13.13	15.00
13.25	7.00	8.00	9.00	10.00	—	—	—	13.63	16.00
14.25	7.00	8.00	9.00	10.00	11.00	—	—	13.63	17.50
15.25	8.00	9.00	10.00	11.00	12.00	—	—	14.13	18.50
16.25	9.00	10.00	11.00	12.00	13.00	—	—	15.13	19.50
18.25	10.00	11.00	12.00	13.00	14.00	15.00	—	15.63	22.00
19.25	11.00	12.00	13.00	14.00	15.00	16.00	—	16.13	23.00
20.25	12.00	13.00	14.00	15.00	16.00	17.00	—	17.13	24.00
22.25	12.00	13.00	14.00	15.00	16.00	17.00	18.00	17.13	27.00
24.25	14.00	15.00	16.00	17.00	18.00	19.00	20.00	18.63	29.00

MATERIAL SPECIFICATIONS

<i>Barrel:</i> DOM Tubing ASTM 513/519 Gr. 1020/1026	<i>Piston Seal:</i> Filled Teflon with Nitrile Loader
<i>Head:</i> Ductile Iron ASTM A536 (65-45-12)	<i>Rod seal:</i> Polyurethane
<i>Piston:</i> Ductile Iron ASTM A536 (65-45-12)	<i>Wear Ring:</i> Reinforced Nylon
<i>Rod:</i> C1045 Chrome Plated	<i>Wiper:</i> Polyurethane on Phosphated Steel
<i>Accessories:</i> Steel CSA G40-21 Gr. 44W	<i>O-Ring:</i> Nitrile
	<i>Back-Up:</i> Nitrile

Seal Temperature Range: -65° F to 225° F (-54° C to 107° C)

Series LB Cylinder

Front Flange Cylinder

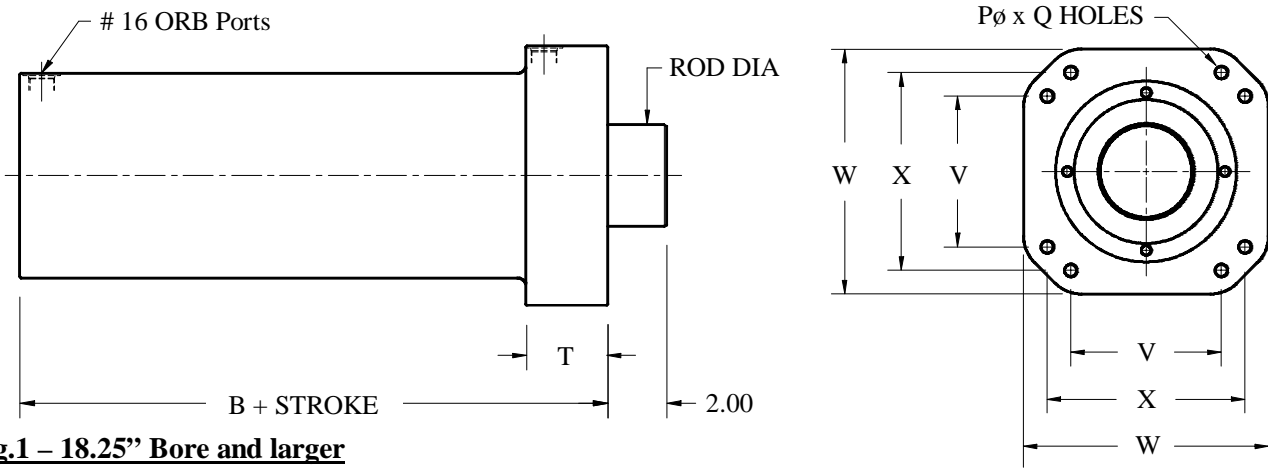


Fig.1 – 18.25” Bore and larger

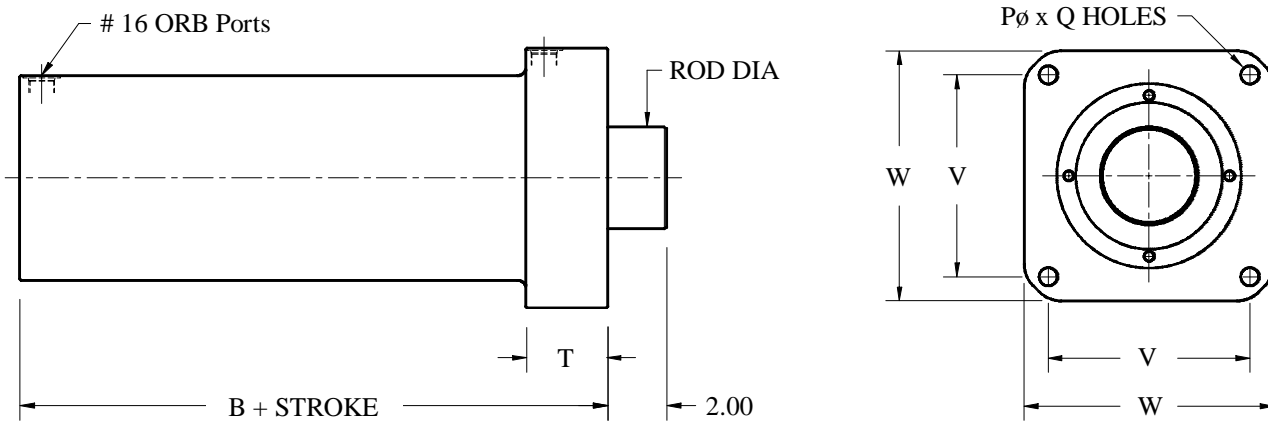


Fig. 2 – 16.25” Bore and smaller

Bore	Rod Dia							B	P	Q	V	X	W	T
	5.00	6.00	7.00	8.00	9.00	10.00	11.00							
9.00	5.00	6.00	—	—	—	—	—	10.38	15/16	4	10.50	—	13.00	3.94
10.00	5.00	6.00	7.00	—	—	—	—	11.88	1 1/16	4	11.00	—	14.50	4.38
11.25	6.00	7.00	8.00	—	—	—	—	12.25	1 3/16	4	12.50	—	16.00	4.38
12.25	6.00	7.00	8.00	9.00	—	—	—	13.13	1 5/16	4	13.50	—	17.50	4.88
13.25	7.00	8.00	9.00	10.00	—	—	—	13.63	1 5/16	4	14.00	—	18.50	4.88
14.25	7.00	8.00	9.00	10.00	11.00	—	—	13.63	1 7/16	4	15.25	—	20.00	4.88
15.25	8.00	9.00	10.00	11.00	12.00	—	—	14.13	1 7/16	4	16.00	—	21.50	4.88
16.25	9.00	10.00	11.00	12.00	13.00	—	—	15.13	1 9/16	4	17.00	—	22.50	4.88
18.25	10.00	11.00	12.00	13.00	14.00	15.00	—	15.63	1 5/16	8	16.00	22.00	26.00	5.38
19.25	11.00	12.00	13.00	14.00	15.00	16.00	—	16.13	1 5/16	8	17.00	23.00	27.00	5.38
20.25	12.00	13.00	14.00	15.00	16.00	17.00	—	17.13	1 5/16	8	17.50	23.50	27.50	5.38
22.25	12.00	13.00	14.00	15.00	16.00	17.00	18.00	17.13	1 9/16	8	19.00	27.00	31.00	5.88
24.25	14.00	15.00	16.00	17.00	18.00	19.00	20.00	18.63	1 9/16	8	20.00	29.00	33.50	5.88