

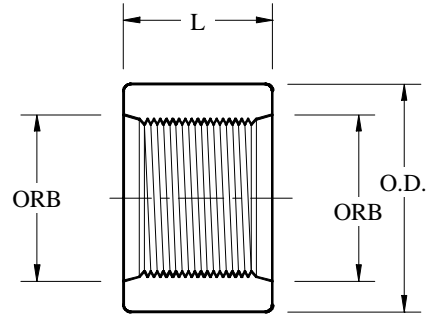
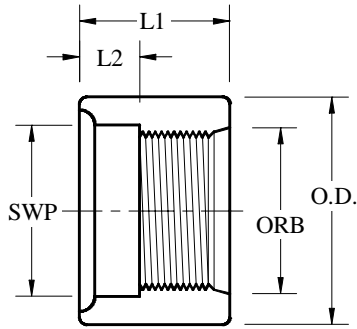


3,000 psi Weld-On & Threaded Adapters

ORB Half Coupling
NPT Half Coupling
ORB to ORB Adapter
SWP to ORB Adapter
ORB Weld-O-Let
NPT Weld-O-Let
SWP to ORFS Adapter
SWT to ORFS Adapter
ORB Weld Insert
SWP to SWP 90° Elbow
SWP to SWP 45° Elbow
SWT to ORB Adapter
SWP to NPT Adapters
NPT to ORB Adapters
ORB Reducer
SWP Coupling
SWP Cap



3000 PSI Weld-On & Threaded Adapters

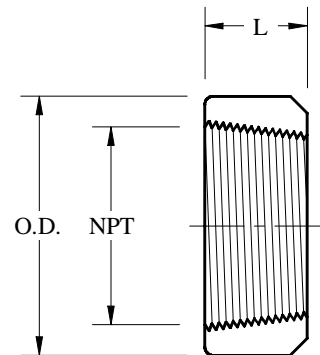
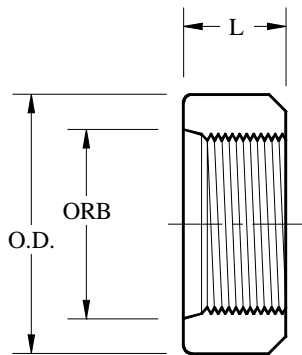


Socket Weld Pipe (SWP) / O'Ring Boss (ORB) Adapter

Part No.	SWP	ORB	L1	L2	O.D.
1805-08-08	1/2"	#8 (3/4"-16)	1.13	0.38	1.31
1805-12-12	3/4"	#12 (1-1/16"-12)	1.38	0.50	1.66
1805-16-16	1"	#16 (1-5/16"-12)	1.38	0.50	1.90
1805-20-20	1-1/4"	#20 (1-5/8"-12)	1.50	0.63	2.38
1805-24-24	1-1/2"	#24 (1-7/8"-12)	1.63	0.75	2.88
1805-32-32	2"	#32 (2.50"-12)	1.75	0.75	3.50

O'Ring Boss (ORB) / O'Ring Boss (ORB) Adapter

Part No.	ORB	ORB	L	O.D.
1875-08-08	#8 (3/4"-16)	#8 (3/4"-16)	1.38	1.31
1875-12-12	#12 (1-1/16"-12)	#12 (1-1/16"-12)	1.63	1.66
1875-16-16	#16 (1-5/16"-12)	#16 (1-5/16"-12)	1.63	1.90
1875-20-20	#20 (1-5/8"-12)	#20 (1-5/8"-12)	1.63	2.38
1875-24-24	#24 (1-7/8"-12)	#24 (1-7/8"-12)	1.63	2.88
1875-32-32	#32 (2.50"-12)	#32 (2.50"-12)	1.63	3.50



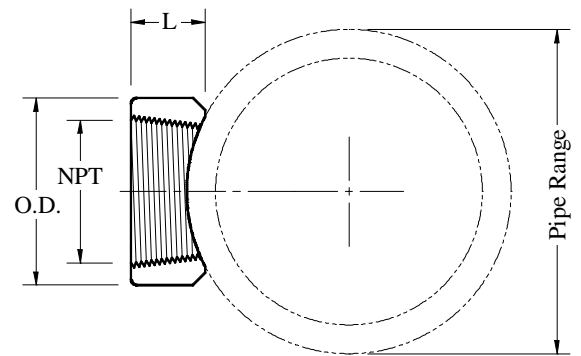
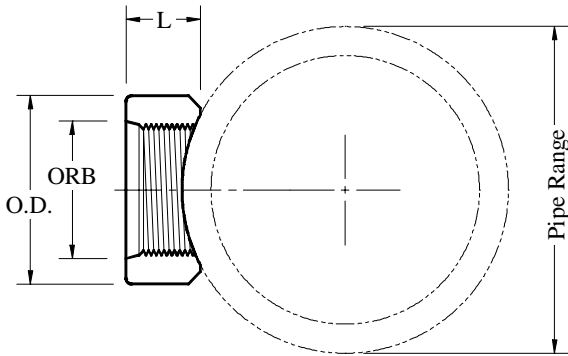
O'Ring Boss (ORB) Half Coupling

Part No.	ORB	L	O.D.
1877-06	#6 (9/16"-18)	0.88	1.00
1877-08	#8 (3/4"-16)	0.88	1.31
1877-12	#12 (1-1/16"-12)	1.13	1.66
1877-16	#16 (1-5/16"-12)	1.25	1.90
1877-20	#20 (1-5/8"-12)	1.25	2.38
1877-24	#24 (1-7/8"-12)	1.38	2.88
1877-32	#32 (2.50"-12)	1.50	3.50

National Pipe Thread (NPT) Half Coupling

Part No.	NPT	L	O.D.
1878-08	1/2"-14	0.88	1.31
1878-12	3/4"-14	1.13	1.66
1878-16	1"-11.5	1.25	1.90
1878-20	1.25"-11.5	1.38	2.38
1878-24	1.50"-11.5	1.50	2.88
1878-32	2.00"-11.5	1.50	3.50

3000 PSI Weld-On & Threaded Adapters

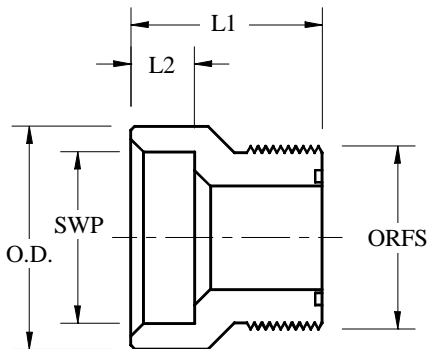


O'Ring Boss (ORB) Weld-O-Let

Part No.	Pipe Range	ORB	L	O.D.
2624-16-06	1/2" to 1"	#6 (9/16"-18)	0.88	1.06
2624-32-06	1-1/4" to 2"	#6 (9/16"-18)	0.88	1.06
2624-20-08	3/4" to 1"	#8 (3/4"-16)	0.88	1.31
2624-32-08	1-1/4" to 3"	#8 (3/4"-16)	0.88	1.31
2624-32-12	1-1/4" to 2"	#12 (1-1/16"-12)	1.13	1.66
2624-56-12	2-1/2" to 4"	#12 (1-1/16"-12)	1.13	1.66
2624-32-16	1-1/4" to 1-1/2"	#16 (1-5/16"-12)	1.25	1.90
2624-56-16	2" to 3"	#16 (1-5/16"-12)	1.25	1.90
2624-88-16	3-1/2" to 6"	#16 (1-5/16"-12)	1.25	1.90

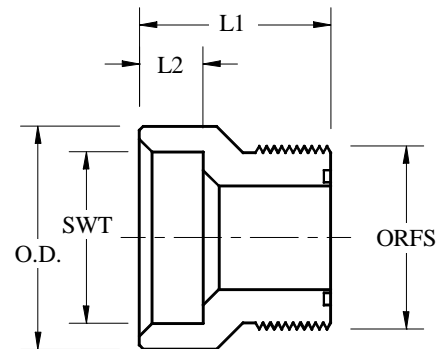
National Pipe Thread (NPT) Weld-O-Let

Part No.	Pipe Range	NPT	L	O.D.
2645-16-06	1/2" to 1"	3/8"-18	0.88	1.06
2645-32-06	1-1/4" to 2"	3/8"-18	0.88	1.06
2645-20-08	3/4" to 1"	1/2"-14	0.88	1.31
2645-32-08	1-1/4" to 3"	1/2"-14	0.88	1.31
2645-32-12	1-1/4" to 2"	3/4"-14	1.13	1.66
2645-56-12	2-1/2" to 4"	3/4"-14	1.13	1.66
2645-32-16	1-1/4" to 1-1/2"	1"-11.5	1.25	1.90
2645-56-16	2" to 3"	1"-11.5	1.25	1.90
2645-88-16	3-1/2" to 6"	1"-11.5	1.25	1.90



**Socket Weld Pipe (SWP) /
O'Ring Face Seal (ORFS) Adapter**

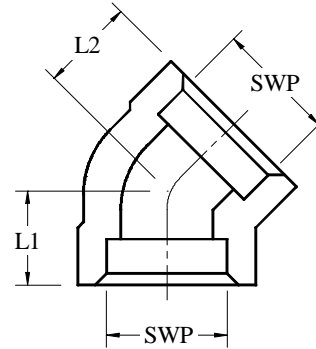
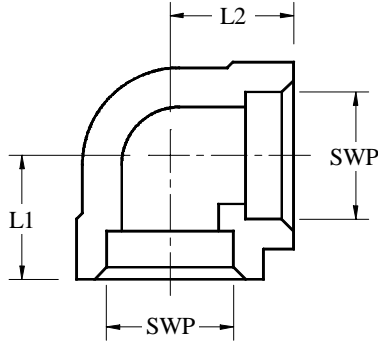
Part No.	SWP	ORFS	L1	L2	O.D.
2331-08-08	1/2"	13/16"-16	1.44	0.38	1.25
2331-12-12	3/4"	1-3/16"-12	1.44	0.38	1.50
2331-16-16	1"	1-7/16"-12	1.50	0.50	1.75
2331-20-20	1-1/4"	1-11/16"-12	1.63	0.50	2.25
2331-24-24	1-1/2"	2"-12	1.75	0.50	2.50



**Socket Weld Tube (SWT) /
O'Ring Face Seal (ORFS) Adapter**

Part No.	SWT	ORFS	L1	L2	O.D.
2356-08-08	1/2"	13/16"-16	1.44	0.38	1.25
2356-12-12	3/4"	1-3/16"-12	1.44	0.38	1.50
2356-16-16	1"	1-7/16"-12	1.50	0.50	1.75
2356-20-20	1-1/4"	1-11/16"-12	1.63	0.50	2.25
2356-24-24	1-1/2"	2"-12	1.75	0.50	2.50

3000 PSI Weld-On & Threaded Adapters



**90° Socket Weld Pipe (SWP) Elbow
(Forged Steel)**

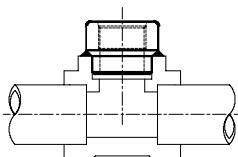
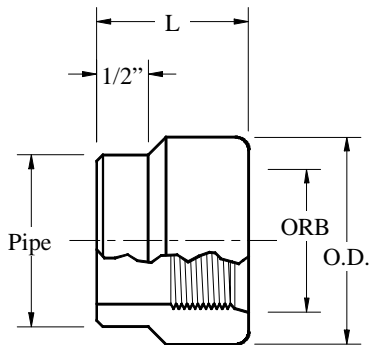
Part No.	SWP	SWP	L1	L2
2652-12-12	3/4"	3/4"	1.31	1.31
2652-16-16	1"	1"	1.50	1.50
2652-20-20	1-1/4"	1-1/4"	1.75	1.75
2652-24-24	1-1/2"	1-1/2"	2.00	2.00
2652-32-32	2"	2"	2.38	2.38
2652-40-40	2-1/2"	2-1/2"	3.00	3.00
2652-48-48	3"	3"	3.38	3.38
2652-64-64	4"	4"	4.18	4.18

**45° Socket Weld Pipe (SWP) Elbow
(Forged Steel)**

Part No.	SWP	SWP	L1	L2
2653-12-12	3/4"	3/4"	1.00	1.00
2653-16-16	1"	1"	1.13	1.13
2653-20-20	1-1/4"	1-1/4"	1.31	1.31
2653-24-24	1-1/2"	1-1/2"	1.38	1.38
2653-32-32	2"	2"	1.69	1.69
2653-40-40	2-1/2"	2-1/2"	2.06	2.06
2653-48-48	3"	3"	2.50	2.50
2653-64-64	4"	4"	3.13	3.13

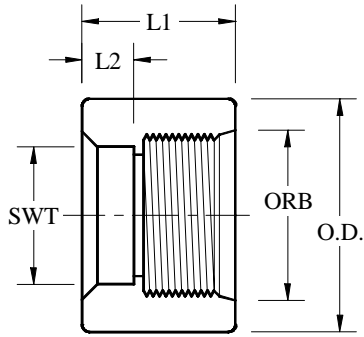
O'Ring Boss (ORB) Weld Insert

Part No.	ORB	Pipe	L	O.D.
3348-06-12	#6 (9/16"-18)	3/4" (1.050)	1.25	1.50
3348-08-12	#8 (3/4"-16)	3/4" (1.050)	1.25	1.50
3348-08-16	#8 (3/4"-16)	1" (1.315)	1.31	1.75
3348-12-16	#12 (1-1/16"-12)	1" (1.315)	1.31	1.75
3348-12-20	#12 (1-1/16"-12)	1-1/4" (1.660)	1.38	2.00
3348-16-20	#16 (1-5/16"-12)	1-1/4" (1.660)	1.38	2.00
3348-12-24	#12 (1-1/16"-12)	1-1/2" (1.900)	1.50	2.25
3348-16-24	#16 (1-5/16"-12)	1-1/2" (1.900)	1.50	2.25
3348-20-24	#20 (1-5/8"-12)	1-1/2" (1.900)	1.50	2.25
3348-16-32	#16 (1-5/16"-12)	2" (2.375)	1.63	2.75
3348-20-32	#20 (1-5/8"-12)	2" (2.375)	1.63	2.75
3348-24-32	#24 (1-7/8"-12)	2" (2.375)	1.63	2.75
3348-16-40	#16 (1-5/16"-12)	2-1/2" (2.875)	1.75	3.25
3348-20-40	#20 (1-5/8"-12)	2-1/2" (2.875)	1.75	3.25
3348-24-40	#24 (1-7/8"-12)	2-1/2" (2.875)	1.75	3.25
3348-32-40	#32 (2-1/2"-12)	2-1/2" (2.875)	1.75	3.25



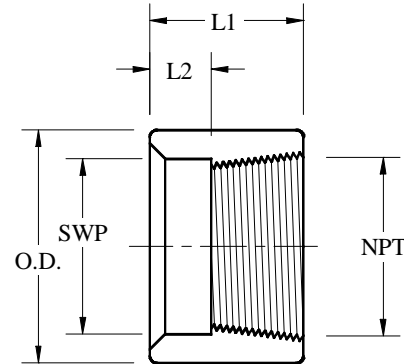
Eg. welded into forged steel socket weld tee

3000 PSI Weld-On & Threaded Adapters



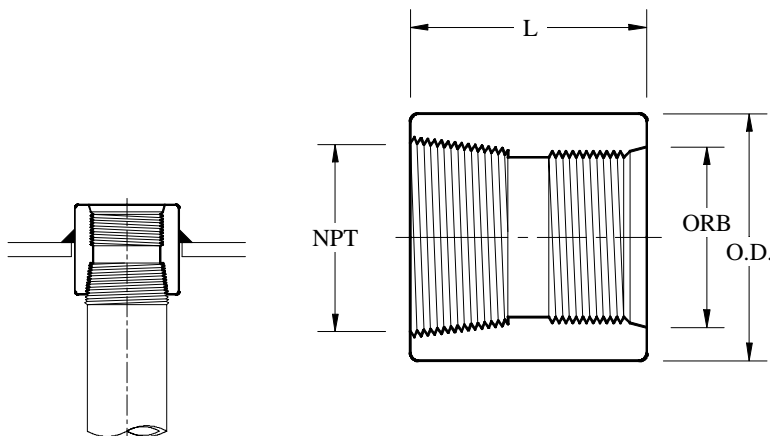
Socket Weld Tube (SWT) / O'Ring Boss (ORB) Adapter

Part No.	SWT	ORB	L1	L2	O.D.
2148-08-08	1/2"	#8 (3/4"-16)	1.00	0.31	1.25
2148-10-08	5/8"	#8 (3/4"-16)	1.00	0.31	1.25
2148-12-08	3/4"	#8 (3/4"-16)	1.00	0.38	1.31
2148-12-12	3/4"	#12 (1-1/16"-12)	1.25	0.44	1.50
2148-16-12	1"	#12 (1-1/16"-12)	1.25	0.50	1.66
2148-16-16	1"	#16 (1-5/16"-12)	1.25	0.50	1.75
2148-20-16	1-1/4"	#16 (1-5/16"-12)	1.25	0.50	1.90
2148-20-20	1-1/4"	#20 (1-5/8"-12)	1.38	0.50	2.25
2148-24-20	1-1/2"	#20 (1-5/8"-12)	1.38	0.50	2.25
2148-24-24	1-1/2"	#24 (1-7/8"-12)	1.50	0.50	2.50
2148-28-24	1-3/4"	#24 (1-7/8"-12)	1.50	0.50	2.50
2148-32-24	2"	#24 (1-7/8"-12)	1.50	0.75	2.88



Socket Weld Pipe (SWP) / National Pipe Thread (NPT) Adapters

Part No.	SWP	NPT	L1	L2	O.D.
1809-08-08	1/2"	1/2"-14	1.13	0.38	1.31
1809-12-12	3/4"	3/4"-14	1.38	0.50	1.66
1809-16-16	1"	1"-11.5	1.38	0.50	1.90
1809-20-20	1-1/4"	1.25"-11.5	1.50	0.63	2.38
1809-24-24	1-1/2"	1.50"-11.5	1.63	0.75	2.50
1809-32-32	2"	2.00"-11.5	1.63	0.75	3.50
1809-40-40	2-1/2"	2.50"-11.5	2.13	0.75	3.50
1809-48-48	3"	3.00"-11.5	2.13	0.75	4.50
1809-64-64	4"	4.00"-11.50	2.25	0.75	5.56

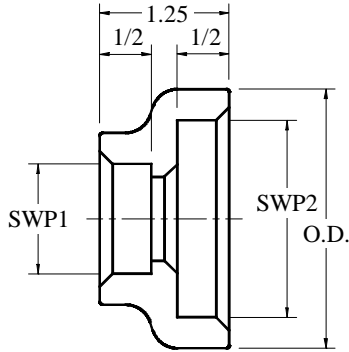


NPT / ORB Coupling

Part No.	NPT	ORB	L	O.D.
3349-08-08	1/2"-14	#8 (3/4"-16)	1.50	1.31
3349-12-12	3/4"-14	#12 (1-1/16"-12)	1.63	1.66
3349-16-16	1"-11.5	#16 (1-5/16"-12)	1.75	1.90
3349-20-20	1.25"-11.5	#20 (1-5/8"-12)	1.75	2.38
3349-24-24	1.50"-11.5	#24 (1-7/8"-12)	1.75	2.88
3349-32-32	2.00"-11.5	#32 (2.50"-12)	1.75	3.50

Perfect for downpipes
In hydraulic tanks

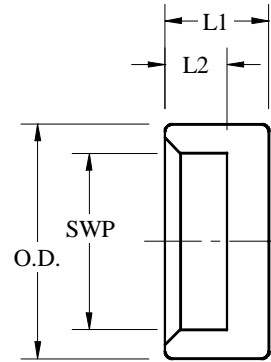
3000 PSI Weld-On & Threaded Adapters



Socket Weld Pipe (SWP) Coupling

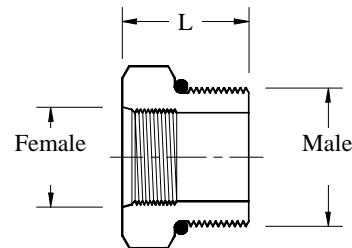
Part No.	SWP 1	SWP 2	O.D.
2265-12-12*	3/4"	3/4"	—
2265-12-16	3/4"	1"	1.75
2265-16-16*	1"	1"	—
2265-12-20	3/4"	1-1/4"	2.25
2265-16-20	1"	1-1/4"	2.25
2265-20-20*	1-1/4"	1-1/4"	—
2265-12-24	3/4"	1-1/2"	2.50
2265-16-24	1"	1-1/2"	2.50
2265-20-24	1-1/4"	1-1/2"	2.50
2265-24-24*	1-1/2"	1-1/2"	—
2265-16-32	1"	2"	2.88
2265-20-32	1-1/4"	2"	2.88
2265-24-32	1-1/2"	2"	2.88
2265-32-32*	2"	2"	—
2265-16-40	1"	2-1/2"	3.50
2265-20-40	1-1/4"	2-1/2"	3.50
2265-24-40	1-1/2"	2-1/2"	3.50
2265-32-40	2"	2-1/2"	3.50
2265-40-40*	2-1/2"	2-1/2"	—
2265-20-48	1-1/4"	3"	4.38
2265-24-48	1-1/2"	3"	4.38
2265-32-48	2"	3"	4.38
2265-40-48	2-1/2"	3"	4.38
2265-48-48*	3"	3"	—
2265-24-64	1-1/2"	4"	5.50
2265-32-64	2"	4"	5.50
2265-40-64	2-1/2"	4"	5.50
2265-48-64	3"	4"	5.50
2265-64-64*	4"	4"	—

*Forged steel, Profile may vary



Socket Weld Pipe (SWP) Cap

Part No.	SWP	L1	L2	O.D.
2651-12	3/4"	1.00	0.38	1.66
2651-16	1"	1.25	0.50	1.90
2651-20	1-1/4"	1.25	0.50	2.25
2651-24	1-1/2"	1.25	0.50	2.50
2651-32	2"	1.50	0.63	2.88
2651-40	2-1/2"	1.50	0.63	3.50
2651-48	3"	1.50	0.63	4.38
2651-64	4"	1.50	0.63	5.50



Female ORB / Male ORB Reducer

Part No.	Female ORB	Male ORB	L
2565-20	—	#20 (1-5/8"-12)	1.00
2565-12-20	#12 (1-1/16"-12)	#20 (1-5/8"-12)	1.00
2565-16-20	#16 (1-5/16"-12)	#20 (1-5/8"-12)	1.00
2565-24	—	#24 (1-7/8"-12)	1.18
2565-12-24	#12 (1-1/16"-12)	#24 (1-7/8"-12)	1.18
2565-16-24	#16 (1-5/16"-12)	#24 (1-7/8"-12)	1.18
2565-20-24	#20 (1-5/8"-12)	#24 (1-7/8"-12)	1.18
2565-32	—	#32 (2.50"-12)	1.34
2565-16-32	#16 (1-5/16"-12)	#32 (2.50"-12)	1.34
2565-20-32	#20 (1-5/8"-12)	#32 (2.50"-12)	1.34
2565-24-32	#24 (1-7/8"-12)	#32 (2.50"-12)	1.34