

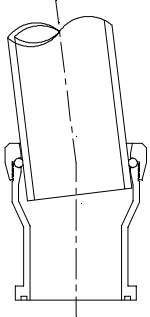


## Suction & Return Adapters

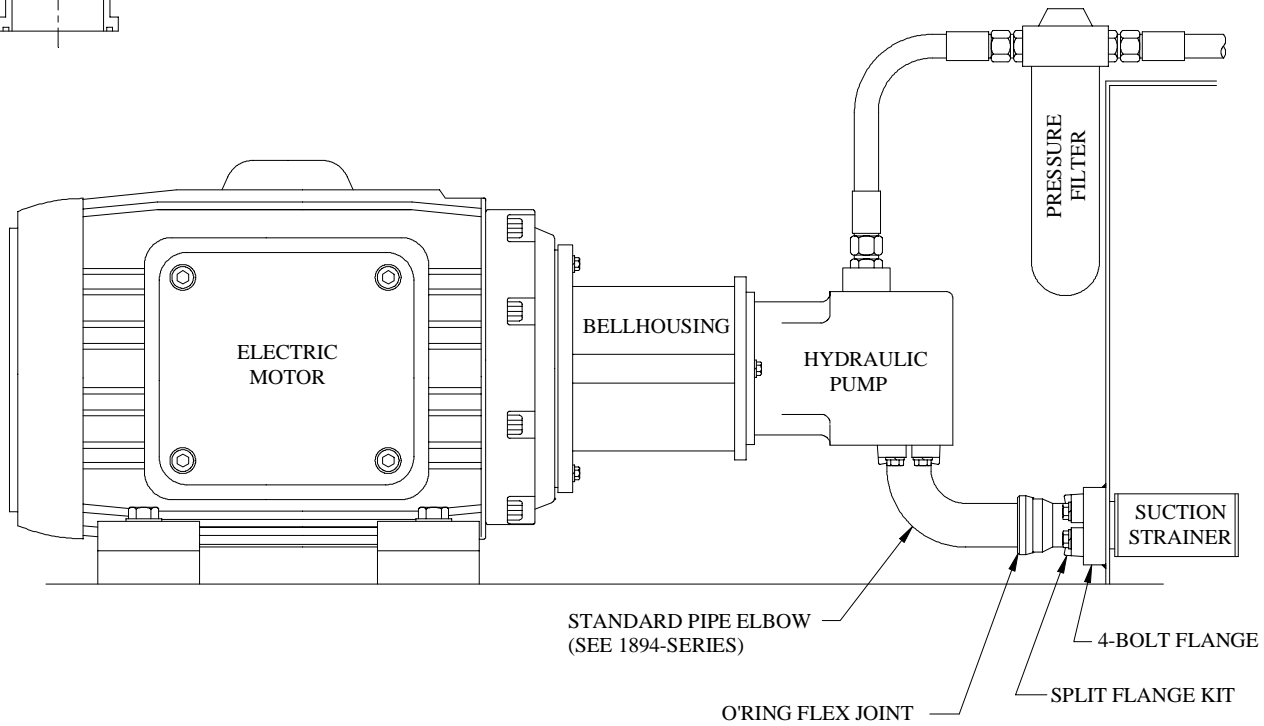
ORFJ Collar  
ORFJ Coupling  
ORFJ to Male NPT  
ORFJ to BWP  
ORFJ to ORH  
ORFJ to ORH 45° Elbow  
ORFJ to ORH 90° Elbow  
Pipe  
Barb  
Male NPT  
Kingnipple  
ORH to ORH 90° Elbow  
Barb to Male ORB  
Barb to Butt Weld Pipe  
Male NPT to Butt Weld Pipe  
Barb to Male NPT 90° Elbow



## O'Ring Flex Joint (ORFJ) Introduction & Installation



The O'Ring Flex Joint (ORFJ), in conjunction with SAE 4-bolt flanges, offers an elegant and simple solution to connecting ports of various components in the suction and return lines of every hydraulic system. This is especially true if a compact layout is essential, misalignment is severe and flow rates are high. The ORFJ will allow for approximately 7 degrees of misalignment per joint. The sealing is accomplished using a standard O'ring, and can be easily tightened into place using any adjustable collet wrench.



### INSTALLATION PROCEDURE

**STEP #1**  
Slide the collar  
over your pipe.



**STEP #2**  
Roll the O'Ring  
up the pipe about



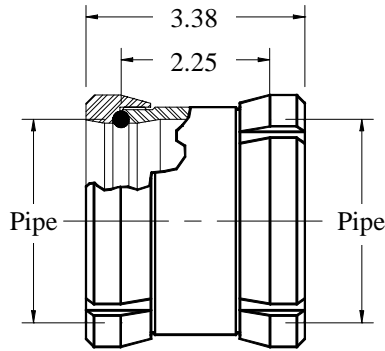
**STEP #3**  
Push the coupling  
up to the O'Ring.



**STEP #4**  
Tighten the collar  
to the coupling.



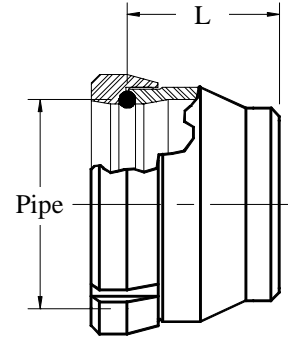
## O'Ring Flex Joint (ORFJ) - 150 psi



**ORFJ Coupling**

Part No.	ORFJ	Pipe
2566-24-24	1.50"	1.50"
2566-32-32	2.00"	2.00"
2566-40-40	2.50"	2.50"
2566-48-48	3.00"	3.00"
2566-56-56	3.50"	3.50"
2566-64-64	4.00"	4.00"

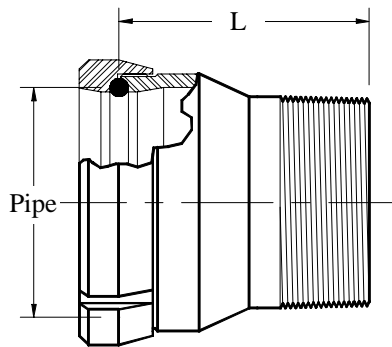
Complete With Collar & O'Ring



**ORFJ / Butt Weld Pipe**

Part No.	Pipe	BWP	L
2555-24-24	1.50"	1.50"	2.25
2555-32-32	2.00"	2.00"	2.25
2555-40-40	2.50"	2.50"	2.25
2555-48-48	3.00"	3.00"	2.25
2555-56-56	3.50"	3.50"	2.25
2555-64-64	4.00"	4.00"	2.25

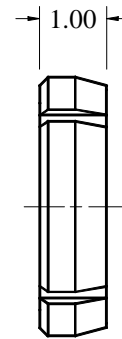
Complete With Collar & O'Ring



**ORFJ / Male NPT**

Part No.	Pipe	NPT	L
2569-24-24	1.50"	1.50"-11.5	3.75
2569-32-32	2.00"	2.00"-11.5	3.75
2569-40-40	2.50"	2.50"-8	3.75
2569-48-48	3.00"	3.00"-8	4.25
2569-56-56	3.50"	3.50"-8	4.25
2569-64-64	4.00"	4.00"-8	4.75

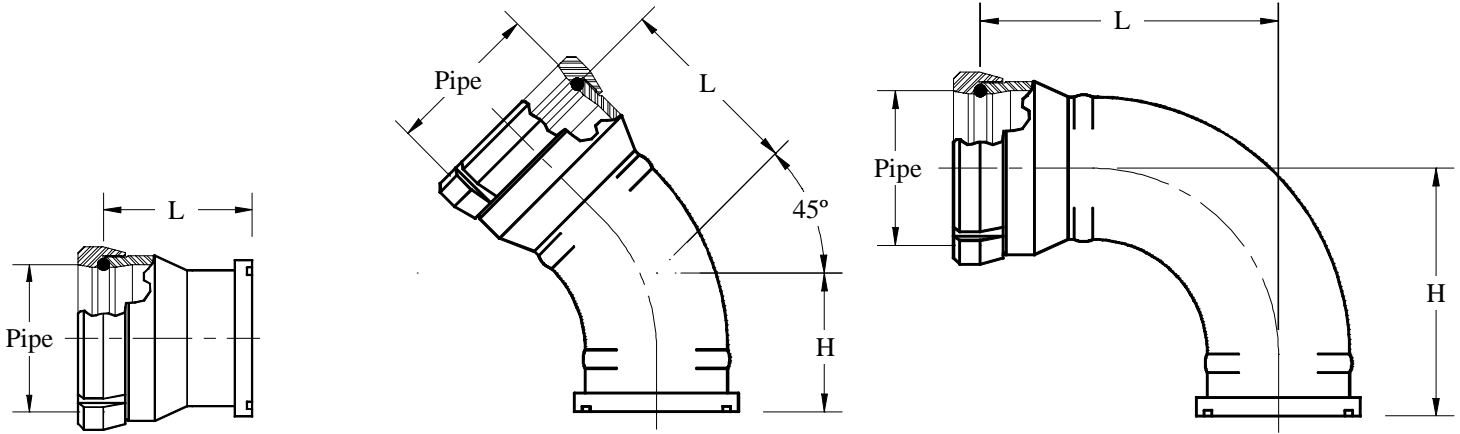
Complete With Collar & O'Ring



**ORFJ Collar**

Part No.	ORFJ
2554-24	1.50"
2554-32	2.00"
2554-40	2.50"
2554-48	3.00"
2554-56	3.50"
2554-64	4.00"

## O'Ring Flex Joint (ORFJ) - 150 psi



**ORFJ /  
Code 61 O'Ring Head**

Part No.	Pipe	Flange	L
2568-24-24	1.50"	1.50"	3.25
2568-32-24	2.00"	1.50"	4.25
2568-24-32	1.50"	2.00"	3.38
2568-32-32	2.00"	2.00"	3.38
2568-40-32	2.50"	2.00"	4.25
2568-32-40	2.00"	2.50"	3.50
2568-40-40	2.50"	2.50"	3.50
2568-48-40	3.00"	2.50"	4.50
2568-40-48	2.50"	3.00"	3.75
2568-48-48	3.00"	3.00"	3.75
2568-56-48	3.50"	3.00"	4.75
2568-48-56	3.00"	3.50"	3.75
2568-56-56	3.50"	3.50"	3.75
2568-64-56	4.00"	3.50"	4.75
2568-56-64	3.50"	4.00"	4.00
2568-64-64	4.00"	4.00"	4.00

Complete With Collar & O'Ring

**ORFJ / Code 61  
O'Ring Head 45° Elbow**

Part No.	Pipe	Flange	L	H
3390-24-24	1.50"	1.50"	3.38	2.13
3390-32-24	2.00"	1.50"	3.63	3.38
3390-24-32	1.50"	2.00"	3.38	2.25
3390-32-32	2.00"	2.00"	3.63	2.50
3390-40-32	2.50"	2.00"	4.00	3.75
3390-32-40	2.00"	2.50"	3.63	2.63
3390-40-40	2.50"	2.50"	4.00	3.00
3390-48-40	3.00"	2.50"	4.25	4.25
3390-40-48	2.50"	3.00"	4.00	3.25
3390-48-48	3.00"	3.00"	4.25	3.50
3390-56-48	3.50"	3.00"	4.50	4.75
3390-48-56	3.00"	3.50"	4.25	3.50
3390-56-56	3.50"	3.50"	4.50	3.75
3390-64-56	4.00"	3.50"	4.75	5.00
3390-56-64	3.50"	4.00"	4.50	4.00
3390-64-64	4.00"	4.00"	4.75	4.25

Complete With Collar & O'Ring

**ORFJ / Code 61  
O'Ring Head 90° Elbow**

Part No.	Pipe	Flang	L	H
2567-24-24	1.50"	1.50"	4.50	3.25
2567-32-24	2.00"	1.50"	5.25	5.00
2567-24-32	1.50"	2.00"	4.50	3.38
2567-32-32	2.00"	2.00"	5.25	4.13
2567-40-32	2.50"	2.00"	6.00	5.75
2567-32-40	2.00"	2.50"	5.25	4.25
2567-40-40	2.50"	2.50"	6.00	5.00
2567-48-40	3.00"	2.50"	6.75	6.75
2567-40-48	2.50"	3.00"	6.00	5.25
2567-48-48	3.00"	3.00"	6.75	6.00
2567-56-48	3.50"	3.00"	7.50	7.75
2567-48-56	3.00"	3.50"	6.75	6.00
2567-56-56	3.50"	3.50"	7.50	6.75
2567-64-56	4.00"	3.50"	8.25	8.50
2567-56-64	3.50"	4.00"	7.50	7.00
2567-64-64	4.00"	4.00"	8.25	7.75

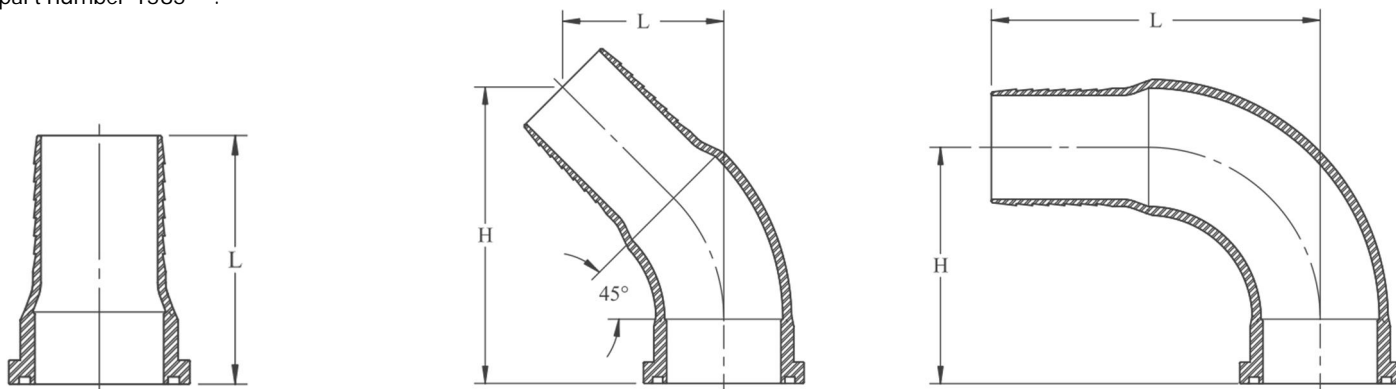
Complete With Collar & O'Ring

Code 61 split flange kit required for mounting  
See part number 1585-size

## 150 psi Suction & Return Adapters

## Hose Barb/Code 61 O-Ring Head

Code 61 split flange kit required for mounting.  
 See part number 1585-\*\*.



Hose Barb /  
Code 61 O-Ring Head

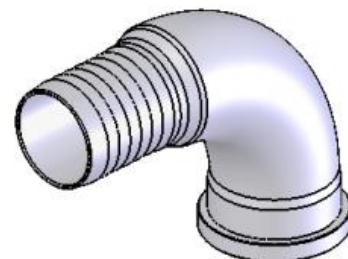
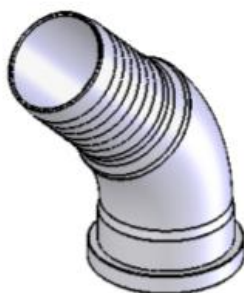
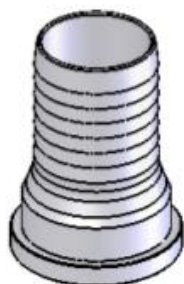
Part #	Barb	ORH	L
1650-20-20	1.25"	1 1/4"	3.00"
1650-24-20	1.50"	1 1/4"	3.25"
1650-32-20	2.00"	1 1/4"	4.25"
1650-20-24	1.25"	1 1/2"	3.00"
1650-24-24	1.50"	1 1/2"	3.25"
1650-32-24	2.00"	1 1/2"	3.75"
1650-40-24	2.50"	1 1/2"	5.00"
1650-24-32	1.50"	2"	3.38"
1650-32-32	2.00"	2"	3.88"
1650-40-32	2.50"	2"	4.13"
1650-48-32	3.00"	2"	5.25"
1650-32-40	2.00"	2 1/2"	4.00"
1650-40-40	2.50"	2 1/2"	4.25"
1650-48-40	3.00"	2 1/2"	4.50"
1650-40-48	2.50"	3"	4.50"
1650-48-48	3.00"	3"	4.75"
1650-64-48	4.00"	3"	6.00"
1650-48-56	3.00"	3 1/2"	4.75"
1650-64-56	4.00"	3 1/2"	5.00"
1650-48-64	3.00"	4"	5.00"
1650-64-64	4.00"	4"	5.25"

45° Elbow - Hose Barb /  
Code 61 O-Ring Head

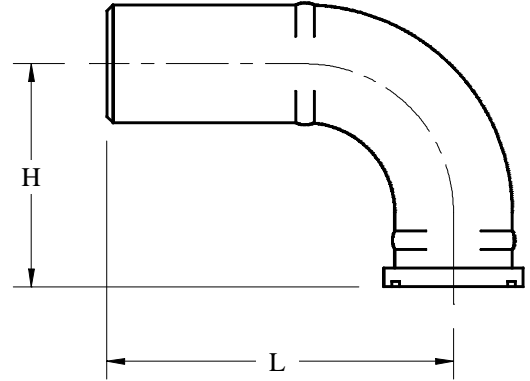
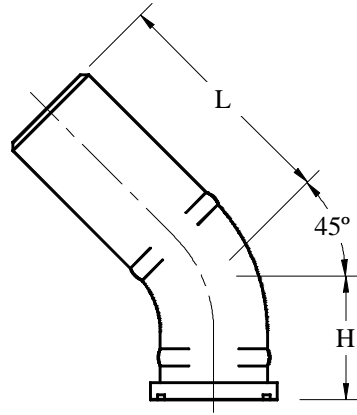
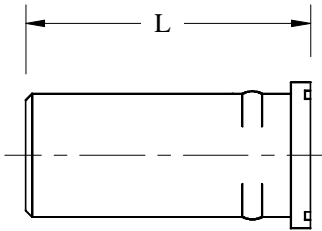
Part #	Barb	ORH	L	H
2675-20-20	1.25"	1 1/4"	2.12"	4.12"
2675-24-20	1.50"	1 1/4"	2.30"	4.30"
2675-32-20	2.00"	1 1/4"	2.74"	5.36"
2675-20-24	1.25"	1 1/2"	2.12"	4.12"
2675-24-24	1.50"	1 1/2"	2.39"	4.51"
2675-32-24	2.00"	1 1/2"	2.74"	4.86"
2675-40-24	2.50"	1 1/2"	3.09"	6.47"
2675-24-32	1.50"	2"	2.39"	4.64"
2675-32-32	2.00"	2"	2.91"	5.41"
2675-40-32	2.50"	2"	3.09"	5.59"
2675-48-32	3.00"	2"	3.54"	7.29"
2675-32-40	2.00"	2 1/2"	2.91"	5.54"
2675-40-40	2.50"	2 1/2"	3.36"	6.36"
2675-48-40	3.00"	2 1/2"	3.54"	6.54"
2675-40-48	2.50"	3"	3.36"	6.61"
2675-48-48	3.00"	3"	3.71"	7.21"
2675-64-48	4.00"	3"	4.06"	8.81"
2675-48-56	3.00"	3 1/2"	3.71"	7.21"
2675-64-56	4.00"	3 1/2"	4.06"	7.81"
2675-48-64	3.00"	4"	3.71"	7.46"
2675-64-64	4.00"	4"	4.24"	8.49"

90° Elbow - Hose Barb /  
Code 61 O-Ring Head

Part #	Barb	ORH	L	H
1670-20-20	1.25"	1 1/4"	3.88"	2.88"
1670-24-20	1.50"	1 1/4"	4.13"	2.88"
1670-32-20	2.00"	1 1/4"	5.00"	3.75"
1670-20-24	1.25"	1 1/2"	3.88"	2.88"
1670-24-24	1.50"	1 1/2"	4.50"	3.25"
1670-32-24	2.00"	1 1/2"	5.00"	3.25"
1670-40-24	2.50"	1 1/2"	6.00"	5.00"
1670-24-32	1.50"	2"	4.50"	3.38"
1670-32-32	2.00"	2"	5.75"	4.13"
1670-40-32	2.50"	2"	6.00"	4.13"
1670-48-32	3.00"	2"	7.00"	5.75"
1670-32-40	2.00"	2 1/2"	5.75"	4.25"
1670-40-40	2.50"	2 1/2"	6.75"	5.00"
1670-48-40	3.00"	2 1/2"	7.00"	5.00"
1670-40-48	2.50"	3"	6.75"	5.25"
1670-48-48	3.00"	3"	7.75"	6.00"
1670-64-48	4.00"	3"	8.75"	7.75"
1670-48-56	3.00"	3 1/2"	7.75"	6.00"
1670-64-56	4.00"	3 1/2"	8.75"	6.75"
1670-48-64	3.00"	4"	7.75"	6.25"
1670-64-64	4.00"	4"	9.50"	7.75"



## Suction & Return Adapters – 150 psi (Straight Pipe Fittings)



**Pipe /  
Code 61 O'Ring Head**

Part No.	Pipe	Flange	L
1892-20-20	1.25"	1.25"	3.50
1892-24-20	1.50"	1.25"	4.50
1892-20-24	1.25"	1.25"	3.50
1892-24-24	1.50"	1.50"	4.00
1892-32-24	2.00"	1.50"	6.00
1892-24-32	1.50"	2.00"	4.13
1892-32-32	2.00"	2.00"	5.13
1892-40-32	2.50"	2.00"	7.00
1892-32-4	2.00"	2.50"	5.25
1892-40-40	2.50"	2.50"	6.25
1892-48-40	3.00"	2.50"	8.25
1892-40-48	2.50"	3.00"	6.50
1892-48-48	3.00"	3.00"	7.50
1892-64-48	4.00"	3.00"	10.50
1892-48-56	3.00"	3.50"	7.50
1892-64-56	4.00"	3.50"	10.50
1892-48-64	3.00"	4.00"	7.75
1892-64-64	4.00"	4.00"	9.75

**Pipe / Code 61  
O'Ring Head 45° Elbow**

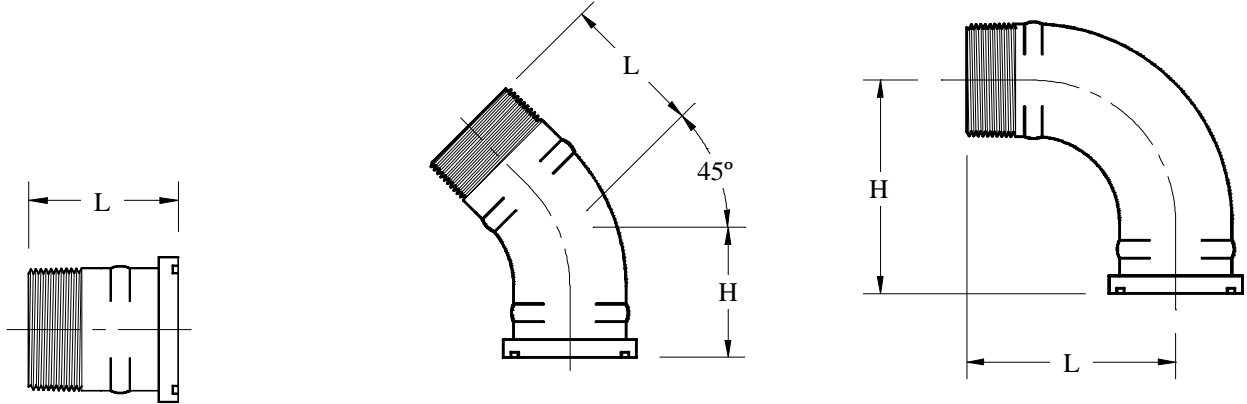
Part No.	Pipe	Flange	L	H
2677-20-20	1 1/4	1 1/4	3.50	2.00
2677-24-20	1 1/2	1 1/4	4.13	2.63
2677-20-24	1 1/4	1 1/2	3.50	2.00
2677-24-24	1 1/2	1 1/2	4.13	2.13
2677-32-24	2	1 1/2	5.38	3.38
2677-24-32	1 1/2	2	4.13	2.25
2677-32-32	2	2	5.38	2.50
2677-40-32	2 1/2	2	6.75	3.75
2677-32-40	2	2 1/2	5.38	2.63
2677-40-40	2 1/2	2 1/2	6.75	3.00
2677-48-40	3	2 1/2	8.25	4.25
2677-40-48	2 1/2	3	6.75	3.25
2677-48-48	3	3	8.25	3.50
2677-64-48	4	3	10.50	5.00
2677-48-56	3	3 1/2	8.25	3.50
2677-64-56	4	3 1/2	10.50	5.00
2677-48-64	3	4	8.25	3.75
2677-64-64	4	4	10.50	4.25

**Pipe / Code 61  
O'Ring Head 90° Elbow**

Part No.	Pipe	Flange	L	H
1894-20-20	1 1/4	1 1/4	4.38	2.88
1894-24-20	1 1/2	1 1/4	5.25	3.75
1894-20-24	1 1/4	1 1/2	4.38	2.88
1894-24-24	1 1/2	1 1/2	5.25	3.25
1894-32-24	2	1 1/2	7.00	5.00
1894-24-32	1 1/2	2	5.25	3.38
1894-32-32	2	2	7.00	4.13
1894-40-32	2 1/2	2	8.75	5.75
1894-32-40	2	2 1/2	7.00	4.25
1894-40-40	2 1/2	2 1/2	8.75	5.00
1894-48-40	3	2 1/2	10.50	6.75
1894-40-48	2 1/2	3	8.75	5.25
1894-48-48	3	3	10.50	6.00
1894-64-48	4	3	14.00	8.50
1894-48-56	3	3 1/2	10.50	6.00
1894-64-56	4	3 1/2	14.00	8.50
1894-48-64	3	4	10.50	6.25
1894-64-64	4	4	14.00	7.75

Code 61 split flange kit required for mounting  
See part number 1585-size

## Suction & Return Adapters – 150 psi (Male NPT Fittings)



**Male NPT /  
Code 61 O'Ring Head**

Part No.	NPT	Flange	L
1640-20-20	1.25"-11.5	1.25"	2.25
1640-24-20	1.50"-11.5	1.25"	2.75
1640-20-24	1.25"-11.5	1.25"	2.25
1640-24-24	1.50"-11.5	1.50"	2.50
1640-32-24	2.00"-11.5	1.50"	3.50
1640-24-32	1.50"-11.5	2.00"	2.63
1640-32-32	2.00"-11.5	2.00"	2.63
1640-40-32	2.50"-8	2.00"	4.00
1640-32-40	2.00"-11.5	2.50"	2.75
1640-40-40	2.50"-8	2.50"	3.25
1640-48-40	3.00"-8	2.50"	4.25
1640-40-48	2.50"-8	3.00"	3.50
1640-48-48	3.00"-8	3.00"	3.50
1640-64-48	4.00"-8	3.00"	5.00
1640-48-56	3.00"-8	3.50"	3.50
1640-64-56	4.00"-8	3.50"	5.00
1640-48-64	3.00"-8	4.00"	3.75
1640-64-64	4.00"-8	4.00"	4.25

**Male NPT / Code 61  
O'Ring Head 45° Elbow**

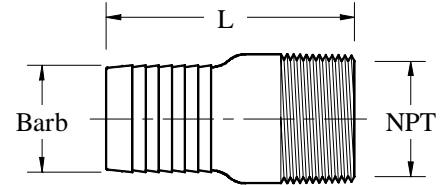
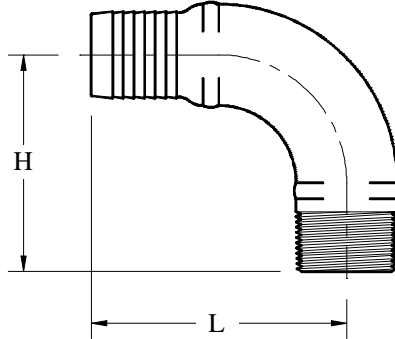
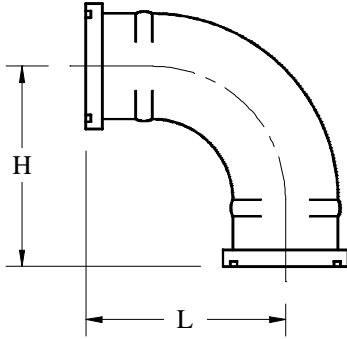
Part No.	NPT	Flange	L	H
2676-20-20	1.25"-11.5	1 1/4	2.25	2.00
2676-24-20	1.50"-11.5	1 1/4	2.63	2.63
2676-20-24	1.25"-11.5	1 1/2	2.25	2.00
2676-24-24	1.50"-11.5	1 1/2	2.63	2.13
2676-32-24	2.00"-11.5	1 1/2	2.88	3.38
2676-24-32	1.50"-11.5	2	2.63	2.25
2676-32-32	2.00"-11.5	2	2.88	2.50
2676-40-32	2.50"-8	2	3.75	3.75
2676-32-40	2.00"-11.5	2 1/2	2.88	2.63
2676-40-40	2.50"-8	2 1/2	3.75	3.00
2676-48-40	3.00"-8	2 1/2	4.00	4.25
2676-40-48	2.50"-8	3	3.75	3.25
2676-48-48	3.00"-8	3	4.00	3.50
2676-64-48	4.00"-8	3	5.00	5.00
2676-48-56	3.00"-8	3 1/2	4.00	3.50
2676-64-56	4.00"-8	3 1/2	5.00	5.00
2676-48-64	3.00"-8	4	4.00	3.75
2676-64-64	4.00"-8	4	5.00	4.25

**Male NPT / Code 61  
O'Ring Head 90° Elbow**

Part No.	NPT	Flange	L	H
1660-20-20	1.25"-11.5	1 1/4	3.13	2.88
1660-24-20	1.50"-11.5	1 1/4	3.75	3.75
1660-20-24	1.25"-11.5	1 1/2	3.13	2.88
1660-24-24	1.50"-11.5	1 1/2	3.75	3.25
1660-32-24	2.00"-11.5	1 1/2	4.50	5.00
1660-24-32	1.50"-11.5	2	3.75	3.38
1660-32-32	2.00"-11.5	2	4.50	4.13
1660-40-32	2.50"-8	2	5.75	5.75
1660-32-40	2.00"-11.5	2 1/2	4.50	4.25
1660-40-40	2.50"-8	2 1/2	5.75	5.00
1660-48-40	3.00"-8	2 1/2	6.50	6.75
1660-40-48	2.50"-8	3	5.75	5.25
1660-48-48	3.00"-8	3	6.50	6.00
1660-64-48	4.00"-8	3	8.50	8.50
1660-48-56	3.00"-8	3 1/2	6.50	6.00
1660-64-56	4.00"-8	3 1/2	8.50	8.50
1660-48-64	3.00"-8	4	6.50	6.25
1660-64-64	4.00"-8	4	8.50	7.75

Code 61 split flange kit required for mounting  
See part number 1585-size

## Suction & Return Adapters – 150 psi



Code 61 O'Ring Head 90° Elbow

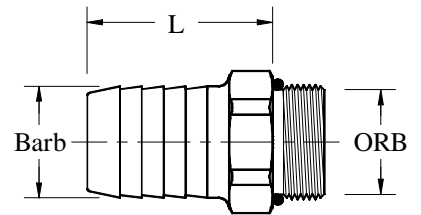
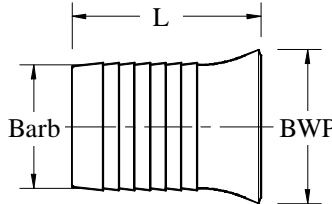
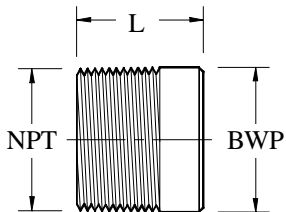
Hose Barb / NPT 90° Elbow

King Nipple

Part No.	Flange 2	Flange 1	L	H
2927-20-20	1.25	1.25	2.88	2.88
2927-20-24	1.25	1.50	2.88	2.88
2927-24-24	1.50	1.50	3.25	3.25
2927-24-32	1.50	2.00	3.25	3.38
2927-32-32	2.00	2.00	4.13	4.13
2927-32-40	2.00	2.50	4.13	4.25
2927-40-40	2.50	2.50	6.88	6.88
2927-40-48	2.50	3.00	5.00	5.25
2927-48-48	3.00	3.00	6.00	6.00
2927-48-56	3.00	3.50	6.00	6.00
2927-56-56	3.50	3.50	6.75	6.75
2927-56-64	3.50	4.00	6.75	7.00
2927-64-64	4.00	4.00	7.75	7.75

Part No.	Barb	NPT	L	H
1638-20-20	1.25	1.25"-11.5	3.88	3.13
1638-24-20	1.50	1.25"-11.5	4.13	3.13
1638-24-24	1.50	1.50"-11.5	4.50	3.75
1638-32-24	2.00	1.50"-11.5	5.00	3.75
1638-32-32	2.00	2.00"-11.5	5.75	4.50
1638-40-32	2.50	2.00"-11.5	6.00	4.50
1638-40-40	2.50	2.50"-8	6.75	5.75
1638-48-40	3.00	2.50"-8	7.00	5.75
1638-48-48	3.00	3.00"-8	7.75	6.50
1638-64-64	4.00	4.00"-8	9.50	8.50

Part No.	Barb	NPT	L
1636-20-20	1.25	1.25	3.88
1636-24-24	1.50	1.50	4.13
1636-32-32	2.00	2.00	4.75
1636-40-40	2.50	2.50	5.50
1636-48-48	3.00	3.00	6.00
1636-64-64	4.00	4.00	7.50



NPT / Butt Weld Pipe

Hose Barb / Butt Weld Pipe

Hose Barb / Male ORB

Part No.	NPT	BWP	L
1634-20-20	1.25	1.25	1.25
1634-24-24	1.50	1.50	1.50
1634-32-32	2.00	2.00	1.50
1634-40-40	2.50	2.50	2.00
1634-48-48	3.00	3.00	2.00
1634-64-64	4.00	4.00	2.50

Part No.	Barb	BWP	L
2547-20-20	1.25	1.25	2.00
2547-24-24	1.50	1.50	2.25
2547-32-32	2.00	2.00	2.75
2547-40-40	2.50	2.50	3.00
2547-48-48	3.00	3.00	3.25
2547-64-64	4.00	4.00	3.50

Part No.	Barb	ORB	L
2360-16-16	1.00	#16 (1-5/16"-12)	2.13
2360-20-16	1.25	#16 (1-5/16"-12)	2.13
2360-20-20	1.25	#20 (1-5/8"-12)	2.13
2360-24-20	1.50	#20 (1-5/8"-12)	2.50
2360-24-24	1.50	#24 (1-7/8"-12)	2.50
2360-32-24	2.00	#24 (1-7/8"-12)	2.50
2360-32-32	2.00	#32 (2.50"-12)	2.50

**DISCONTINUED**