



Pump Motor Adapters

SAE Pump / NEMA Motor Adapters

Gas Engine Bellhousings

SAE Pump Brackets

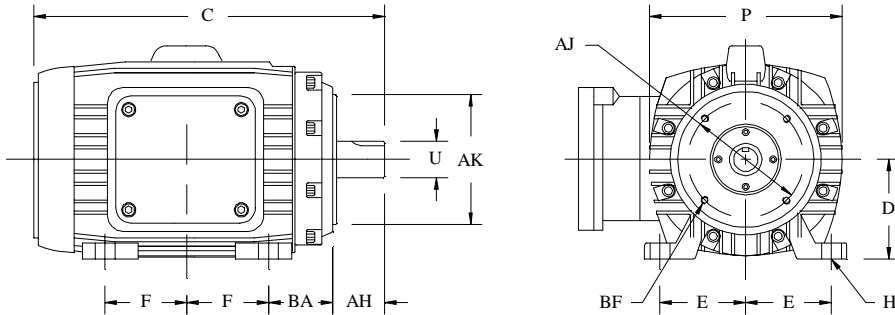
Motor Port Blocks

Motor Mounts

Accessories



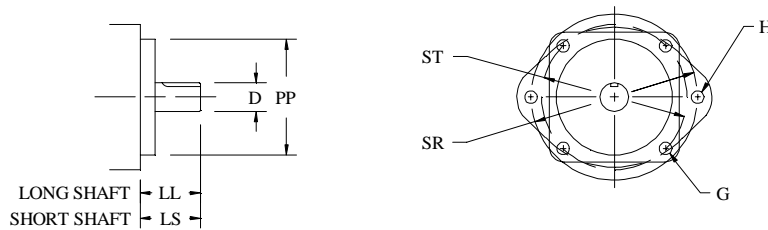
NEMA Motor & SAE Pump Specifications



**HP based on 1750 RPM and 440 volts.

NEMA Motor Specifications

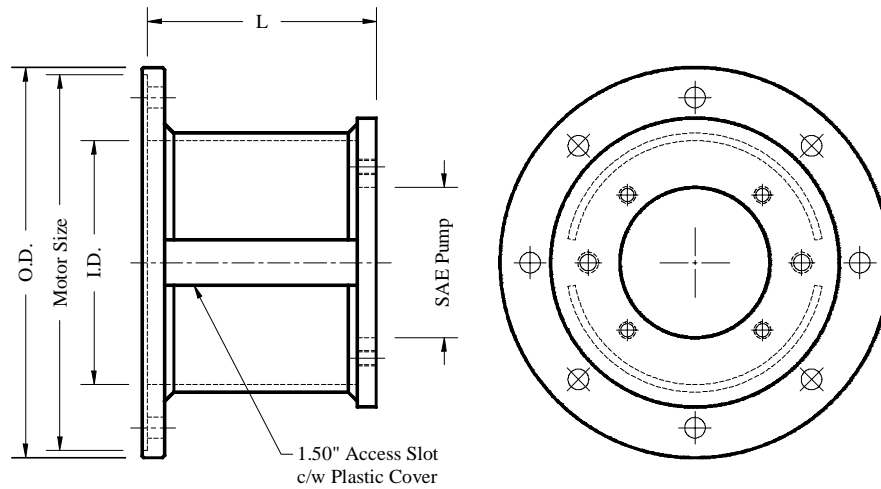
HP	Frame Size	E	F	H	BA	C	D	P	U	AH	AJ	AK	BF (QTY.)
1	143 TC	2.75	2.00	0.34	2.25	12.25	3.50	7.72	0.88	2.13	5.87	4.50	3/8-16 (4)
2	145 TC		2.50			13.25							
3	182 TC	3.75	2.25	0.41	2.75	15.00	4.50	8.91	1.13	2.62	7.25	8.50	1/2-13 (4)
5	184 TC		2.75			15.63							
7.5	213 TC	4.25	2.75	0.41	3.50	18.00	5.25	11.19	1.38	3.12			
10	215 TC		3.50			19.50							
15	254 TC	5.00	4.13	0.53	4.25	24.00	6.25	12.75	1.63	3.75	9.00	10.50	1/2-13 (4)
20	256 TC		5.00			25.60							
25	284 TC	5.50	4.75	0.53	4.75	25.60	7.00	14.50	1.88	4.37	11.00	12.50	5/8-11 (4)
30	286 TC		5.50			27.09							
40	324 TC	6.25	5.25	0.66	5.25	30.87	8.00	15.50	2.13	5.00	14.00	16.00	5/8-11 (8)
50	326 TC		6.00			30.86							
60	364 TC	7.00	5.63	0.66	5.87	35.00	9.00	17.50	2.38	5.62			
75	365 TC		6.13			36.00							
100	405 TC	8.00	6.88	0.81	6.63	38.00	10.00	19.13	2.88	7.00			
125	444 TC	9.00	7.25	0.81	7.50	43.00	11.00	22.06	3.38	8.25			
150	445 TC		8.25			46.00							



SAE Pump Specifications

Pump Size	PP (Pilot)	4-Bolt Mount		2-Bolt Mount		Straight Shaft		
		ST	G	SR	H	LL	LS	D
1.78	1.78	2.838	0.38	—	—	—	—	—
AA	2.00	—	—	3.250	0.41	—	1.06	0.50
A	3.25	4.125	0.44	4.188	0.44	2.31	1.25	0.63
B	4.00	5.000	0.56	5.750	0.56	2.81	1.63	0.88
C	5.00	6.375	0.56	7.125	0.69	3.31	2.19	1.25
D	6.00	9.000	0.81	9.000	0.81	3.94	2.94	1.75
E	6.50	12.500	0.81	12.500	0.81	3.94	2.94	1.75
F	7.00	13.780	1.06	13.780	1.06	—	—	—

Pump Motor Adapters



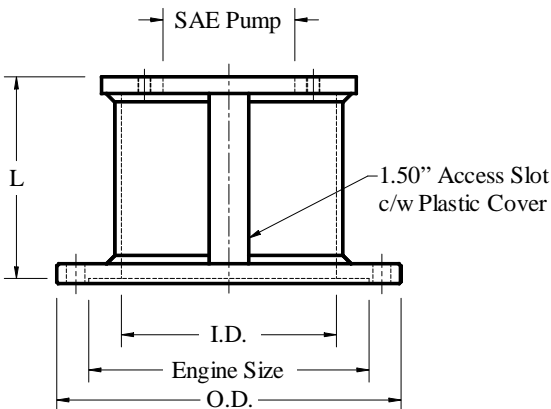
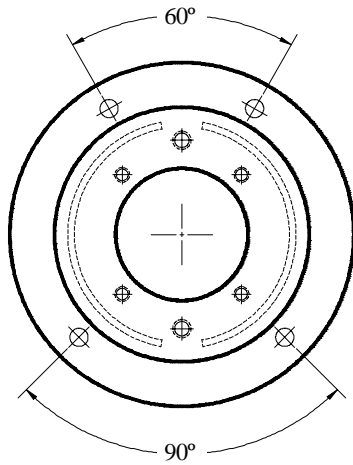
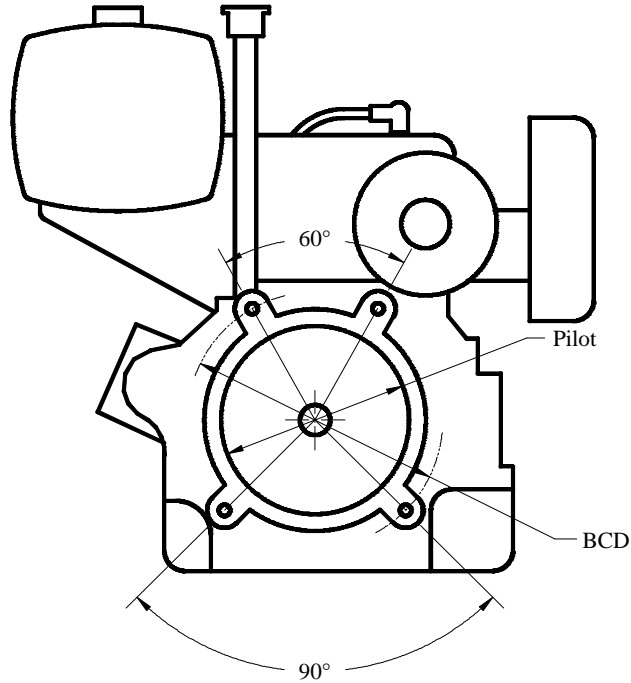
Motor Size	O.D.	I.D.	SAE Pump	L	Part No.	WT LB
Nema 56 TC To 145 TC	6.75	4.00	1.78	3.50	1416-1	10
				4.25	1416-3	
			AA	4.00	1417-1	11
				4.50	1417-3	
			A	4.00	1418-3	11
				4.50	1418-4	
5.25	1418-5					
Nema 182 TC To 256 TC	9.00	5.50	1.78	4.00	1419-1	15
				5.00	1419-2	
			AA	4.50	1420-1	16
				5.68	1420-2	
			A	4.88	1421-1	16
				5.68	1421-2	
			B	6.68	1421-3	17
				5.00	1422-1	
			C	5.81	1422-2	17
				6.81	1422-3	
			C	5.00	1423-1	20
				5.81	1423-2	
6.81	1423-3					

Motor Size	O.D.	I.D.	SAE Pump	L	Part No.	WT LB
Nema 284 TC To 286 TC	11.00	7.00	A	5.00	1424-1	24
				6.81	1424-2	
			B	6.81	1425-1	27
				7.63	1425-2	
				8.81	1425-3	
			C	6.81	1426-1	27
				7.63	1426-2	
			D	8.81	1426-3	30
8.00	1427-3					
Nema 324 TC To 405 TC	13.00	8.13	B	6.81	1428-1	35
				7.63	1428-2	
			C	8.81	1428-3	35
				6.81	1429-1	
			D	7.63	1429-2	48
				8.81	1429-3	
			E	10.50	1429-4	68
				8.00	1430-4	
			E	9.19	1430-5	48
				10.88	1430-6	
E	10.88	1431-3	68			
	12.00	1431-2				
Nema 444 TC To 445 TC	16.50	10.00	D	9.00	1432-1	80
				12.00	1432-2	
E	9.00	1433-1	100			
	12.00	1433-2				

- All dimensions are in inches
- Pump/Motor Adapters are suitable for 2-bolt & 4-bolt pumps.
- See page 62-2 For NEMA motor and SAE pump specifications.
- Material: G40.21-44W Steel.
- Complete with bolt kits.

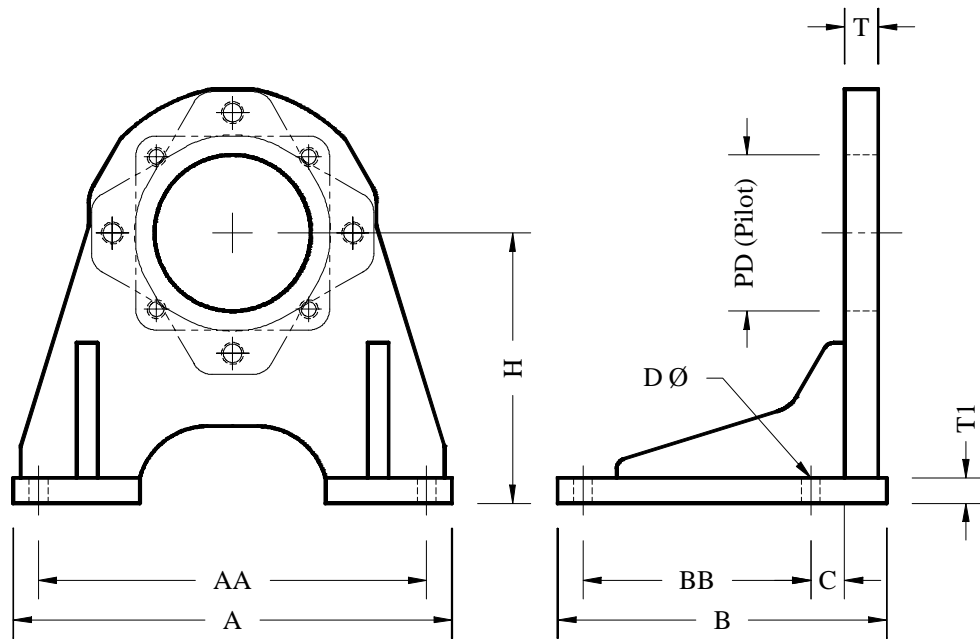
Gas Engine Bellhousings

Engine Size	Pilot	BCD
Small	5.75	6.50
Medium	7.00	7.75
Large	7.88	9.25



Engine	Pump	O.D.	I.D.	L	Part No.
Small	AA	7.50	5.00	5.00	2665-1
				5.50	2665-2
	A	7.50	5.00	5.00	2666-1
				5.50	2666-2
	B	7.50	5.00	5.00	2667-1
				5.50	2667-2
Medium	A	9.00	5.50	5.50	2668-1
				6.00	2668-2
				7.00	2668-3
	B	9.00	5.50	5.50	2669-1
				6.00	2669-2
				7.00	2669-3
C	9.00	5.50	5.50	2670-1	
			6.00	2670-2	
			7.00	2670-3	
Large	A	10.50	7.00	8.69	2671-1
	B	10.50	7.00	8.69	2672-1
	C	10.50	7.00	8.69	2673-1

Standard SAE Pump Brackets



Part No.	Mounting Flange	PD (Pilot)	H	AA	BB	T	T1	A	B	C	D	WT LB
744-3	SAE AA	2.000	3.50	5.25	1.88	0.50	0.50	6.00	3.50	0.44	0.44	5
980-4	SAE A	3.250	4.50	7.50	3.00	0.63	0.63	8.50	5.13	0.75	0.50	10
649-6	SAE B	4.000	6.25	9.00	4.63	0.75	0.63	10.25	7.00	0.75	0.56	20
612-7	SAE C	5.000	7.00	11.50	6.75	1.00	0.75	13.00	9.75	1.00	0.56	35
612-8			8.00									
612-9			9.00									
598-9	SAE D	6.000	9.00	14.50	8.25	1.25	1.00	16.00	11.75	1.25	0.69	65
625-10	SAE E	6.500	10.00	17.00	9.50	1.25	1.00	18.75	13.25	1.50	0.81	85
645-11	SAE F	7.000	11.00	18.50	10.38	1.50	1.25	21.00	14.50	1.50	1.06	140

ALL DIMENSIONS ARE IN INCHES

All footbrackets are suitable for 2-bolt and 4-bolt pumps.
Footbrackets with different height (H) are available upon request.
For SAE J748 standard pump specifications, see page 62-2

Motor Port Blocks

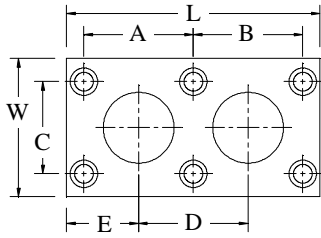


Figure 'A'

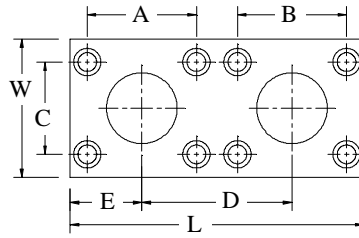


Figure 'B'

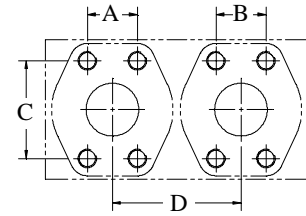


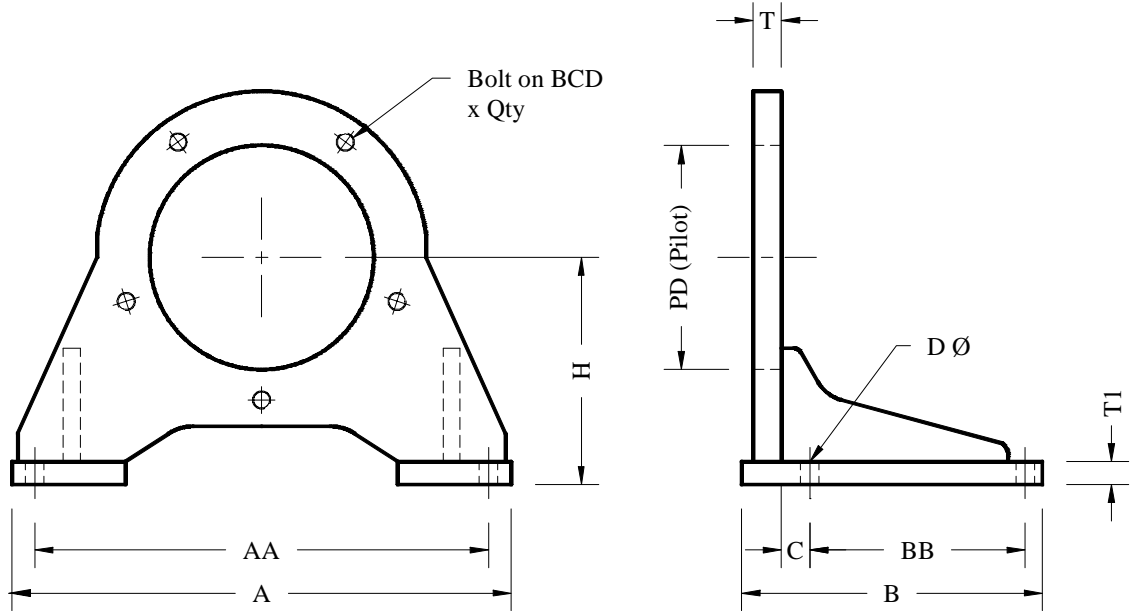
Figure 'C'

All Port Blocks Come With Mounting Kits

Motor Make	Motor Size	Fig.	Part Number	Port Size	A	B	C	D	E	L	W	THK
STAFFA	HMB010	B	MB367	#16 ORB	1.57	1.57	1.57	2.28	1.18	4.63	2.31	1.25
	B080 / 060											
	HMB100 / 125 HMC080 / 200	A	MB368	#16 ORB	2.00	2.00	1.75	2.38	1.18	4.75	2.50	1.25
	HMB150 B200	A	MB369	#16 ORB	1.88	1.88	1.75	2.00	1.25	4.50	2.50	1.25
	HMB270 / 325 HMC270	A	MB370	#20 ORB	2.38	2.38	2.00	2.63	1.43	5.50	3.00	1.25
	HMHDB400	A	MB371	#24 ORB	1.70	2.53	3.06	2.63	1.31	5.19	4.00	1.50
HYDROSTAR KYB	MRH12	C	See Section 42	3/4" Code 61	Standard Code 61 4-Bolt Flange							
	MRH30	C	See Section 42	3/4" Code 61	Standard Code 61 4-Bolt Flange							
	MRH45	C	See Section 42	1.00" Code 61	Standard Code 61 4-Bolt Flange							
	MRH60 to 270	C	See Section 42	1.25" Code 61	Standard Code 61 4-Bolt Flange							
	MRH375 / 250	A	MB610	2.00" Code 61	3.00	3.00	3.70	3.00	2.31	8.13	5.00	2.00
	MRH540	C	See Section 42	2.00" Code 61	Standard Code 61 4-Bolt Flange							
CALZONI	MR190 / 300	A	MB611	#12 ORB	1.97	1.97	1.34	1.97	1.36	4.69	2.00	1.25
	MR450 / 700	A	MB612	#16 ORB	2.36	2.36	1.57	2.36	1.60	5.56	2.50	1.50
	MR1100 / 1800 MRE1400 / 2100	A	MB613 MB345	#20 ORB 1.25" Code 61	2.67	2.67	1.97	2.79	1.79	6.38	3.00	1.50 1.00
	MR2400 / 2800 MRE3100	A	MB614	1.50" Code 61	3.55	3.55	2.44	3.38	2.40	8.19	3.50	1.00
	MR3600 to 7000 MRE5400 / 8500 MRE8500	A	MB615	2" Code 61	3.93	3.93	2.68	4.41	2.33	9.06	4.00	1.25

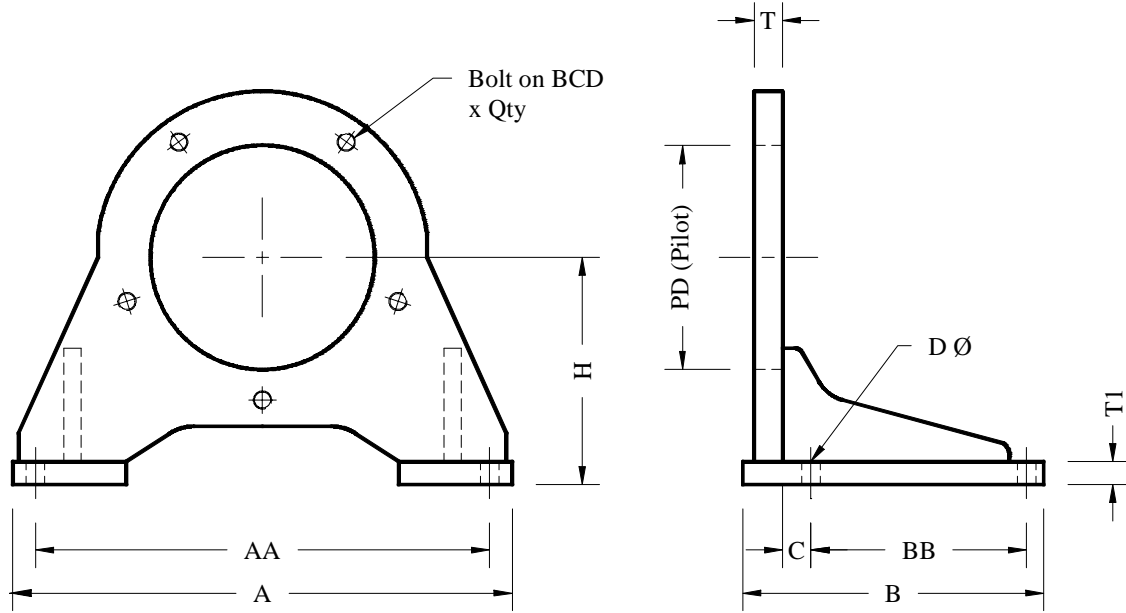
See manifold section 28 for cross port relief blocks.

HECO Motor Mounts



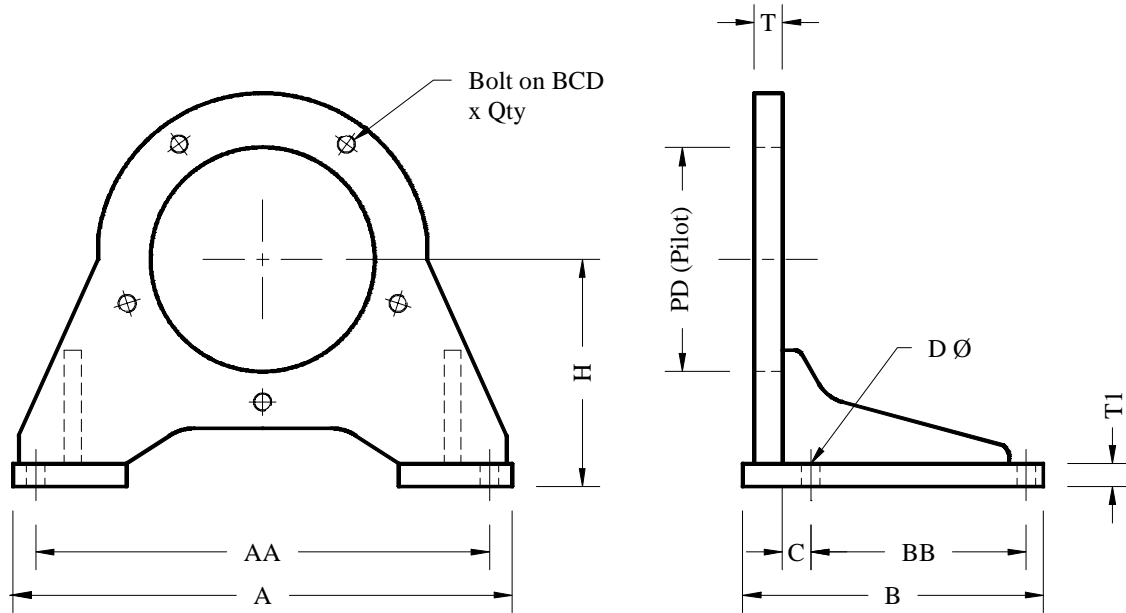
Motor Series	Part No.	PD	BCD	Bolt (QTY)	H	AA	BB	T	T1	A	B	C	D (QTY)	WT LB
16FF	612-1	5.000	6.375	5/8 NC (4)	7.00	11.50	6.75	1.00	0.75	13.0	9.75	1.00	0.56 (4)	35
16CF	1128-4	7.000	8.250	5/8 NC (4)	6.50	13.50	5.63	1.00	0.75	15.0	8.50	1.00	0.56 (4)	35
20FF 20DFE	940-2	11.000	13.187	3/4 NC (10)	10.00	20.00	9.50	1.25	1.00	22.0	13.25	1.50	0.81 (4)	110
20CF 20DCF	1128-5	7.500	9.375	0.656 DIA (6)	6.50	13.50	5.63	1.00	0.75	15.0	8.50	1.00	0.56 (4)	35
50CF 50DCF 52DCF	920-3	9.750	11.000	0.781 DIA (6)	9.00	17.50	8.25	1.00	1.00	19.0	11.50	1.25	0.69 (4)	75

CALZONI Motor Mounts



Motor Size	Part No.	PD	BCD	Bolt (QTY)	H	AA	BB	T	T1	A	B	C	D (QTY)	WT LB
MR190	1128-1	6.297	8.86	3/8 NC (5)	6.50	13.50	5.63	1.00	0.75	15.0	8.5	1.00	0.56 (4)	35
MR300	1128-2	6.888	9.13	3/8 NC (5)	6.50	13.50	5.63	1.00	0.75	15.0	8.5	1.00	0.56 (4)	35
MR450	979-1	7.478	10.47	7/16 NC (5)	8.00	16.00	6.75	1.00	0.75	18.0	9.8	1.00	0.56 (4)	55
MR700	920-1	8.659	11.42	7/16 NC (5)	9.00	17.50	8.25	1.00	1.00	19.0	11.5	1.25	0.69 (4)	75
MR1100	940-1	9.840	12.99	1/2 NC (5)	10.00	20.00	9.50	1.25	1.00	22.0	13.3	1.50	0.81 (4)	110
MR1800	939-1	11.414	14.96	5/8 NC (5)	11.50	24.00	10.38	1.25	1.25	26.5	14.5	1.75	1.06 (4)	160
MR2400 MR2800	1081-1	13.186	17.32	5/8 NC (5)	13.00	26.50	12.25	1.50	1.25	29.0	16.8	1.75	1.06 (4)	230
MR3600 MR4500	1127-1	15.745	21.26	7/8 NC (5)	15.50	31.50	7.50	1.50	1.50	34.5	19.5	1.75	1.06 (6)	335
MR7000	1082-1	17.713	23.62	7/8 NC (5)	18.00	35.50	8.38	1.75	1.50	38.5	21.5	1.75	1.06 (6)	470

CHAR-LYNN & NICHOLS Motor Mounts



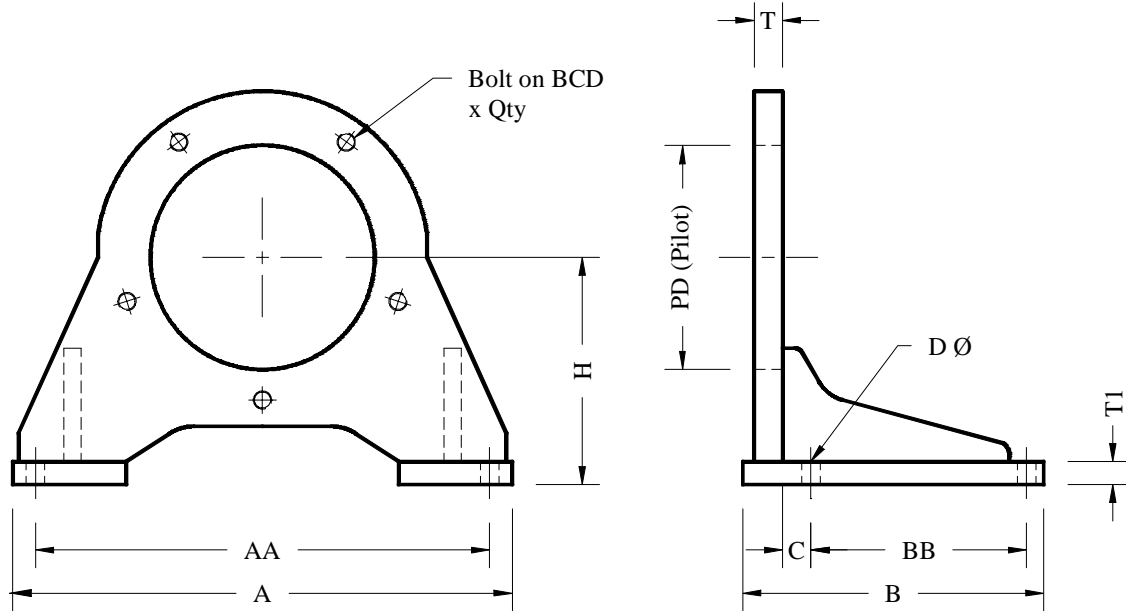
CHAR-LYNN Motor Mounts

Motor Series	Part No.	PD	BCD	Bolt (QTY)	H	AA	BB	T	T1	A	B	C	D (QTY)	WT LB
2000	980-1	3.250	4.188	1/2 NC (2)	4.50	7.50	3.00	0.63	0.63	8.5	5.13	0.75	0.50 (4)	10
4000	649-6	4.000	5.000	1/2 NC (4)	6.25	9.00	4.63	0.75	0.63	10.3	7.00	0.75	0.56 (4)	20
6000	612-7	5.000	6.375	1/2 NC (4)	7.00	11.50	6.75	1.00	0.75	13.0	9.75	1.00	0.56 (4)	35
10,000	612-1	5.000	6.375	5/8 NC (4)	7.00	11.50	6.75	1.00	0.75	13.0	9.75	1.00	0.56 (4)	35

NICHOLS Motor Mounts

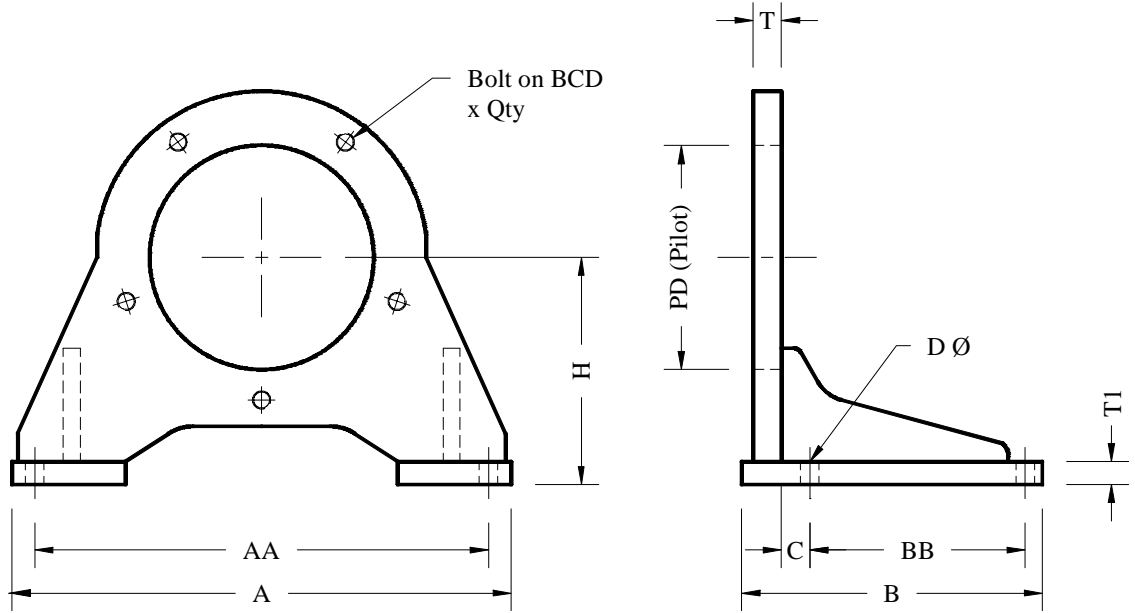
Model No.	Part No.	PD	BCD	Bolt (QTY)	H	AA	BB	T	T1	A	B	C	D (QTY)	WT LB
050A 110A	980-1	3.250	4.188	1/2 NC (2)	4.50	7.50	3.00	0.63	0.63	8.5	5.13	0.75	0.50 (4)	10
130K	980-1	3.250	4.188	1/2 NC (4)	4.50	7.50	3.00	0.63	0.63	8.5	5.13	0.75	0.50 (4)	10
110B	649-6	4.000	5.750	1/2 NC (2)	6.25	9.00	4.63	0.75	0.63	10.3	7.00	0.75	0.56 (4)	20
120H	649-1	4.250	5.810	1/2 NC (4)	6.25	9.00	4.63	0.75	0.63	10.3	7.00	0.75	0.56 (4)	20
310E	1128-6	6.500	7.500	0.656 DIA (4)	6.50	13.50	5.63	1.00	0.75	15.0	8.50	1.00	0.56 (4)	35

STAFFA Motor Mounts



Motor Size	Part No.	PD	BCD	Bolt (QTY)	H	AA	BB	T	T1	A	B	C	D (QTY)	WT LB
B10	1128-3	8.028	9.055	1/2 NC (5)	6.50	13.50	5.63	1.00	0.75	15.0	8.5	1.00	0.562 (4)	35
B30	979-3	7.083	10.240	5/8 NC (5)	8.00	16.00	6.75	1.00	0.75	18.0	9.8	1.00	0.562 (4)	55
B45	920-2	8.872	12.000	5/8 NC (5)	9.00	17.50	8.25	1.00	1.00	19.0	11.5	1.25	0.688 (4)	75
B60	939-2	11.870	12.875	3/4 NC (5)	11.50	24.00	10.38	1.25	1.25	26.5	14.5	1.75	1.062 (4)	160
B80														
B100														
B125	1081-2	14.995	16.500	3/4 NC (5)	13.00	26.50	12.25	1.50	1.25	29.0	16.8	1.75	1.062 (4)	230
B150														
B200														
B270	1127-2	17.995	20.500	3/4 NC (5)	15.50	31.50	7.50	1.50	1.50	34.5	19.5	1.75	1.062 (6)	335
B325														

HYDROSTAR (KYB) Motor Mounts

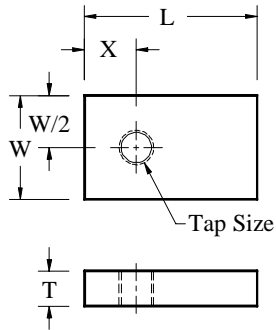
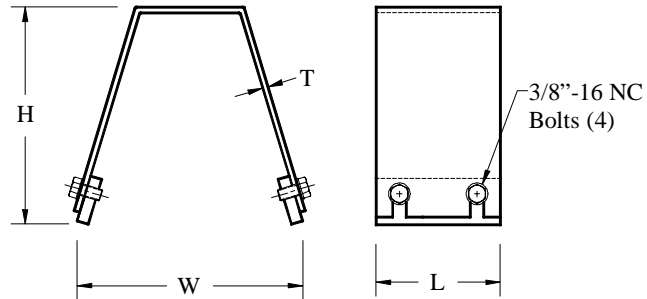


Motor Size	Part No.	PD	BCD	Bolt (QTY)	H	AA	BB	T	T1	A	B	C	D (QTY)	WT LB
MRH12	1128-3	8.028	9.0550	1/2 NC (5)	6.50	13.50	5.63	1.00	0.75	15.0	8.5	1.00	0.562 (4)	35
MRH30	979-2	8.816	10.240	5/8 NC (5)	8.00	16.00	6.75	1.00	0.75	18.0	9.8	1.00	0.562 (4)	55
MRH45	920-2	8.872	12.000	5/8 NC (5)	9.00	17.50	8.25	1.00	1.00	19.0	11.5	1.25	0.688 (4)	75
MRH80 MRH95	939-2	11.870	12.875	3/4 NC (5)	11.50	24.00	10.38	1.25	1.25	26.5	14.5	1.75	1.062 (4)	160
MRH135 MRH190	1081-2	14.995	16.500	3/4 NC (5)	13.00	26.50	12.25	1.50	1.25	29.0	16.8	1.75	1.062 (4)	230
MRH270	1127-2	17.995	20.500	3/4 NC (5)	15.50	31.50	7.50	1.50	1.50	34.5	19.5	1.75	1.062 (6)	335
MR375	1082-2	17.949	21.625	1 NC (5)	18.00	35.50	8.38	1.75	1.50	38.5	21.5	1.75	1.062 (6)	470
MR525	1082-3	17.949	21.654	1 NC (5)	18.00	35.50	8.38	1.75	1.50	38.5	21.5	1.75	1.062 (6)	470

Accessories

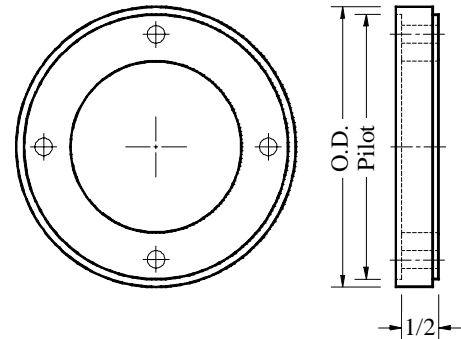
Coupling Guards

Part No.	W	H	L	T
1614-A	7.50	7.00	4.00	0.10
1801-B	9.50	9.00	5.00	0.10
1770-C	11.00	12.00	6.00	0.10
1756-D	15.00	14.50	9.00	0.13
1755-E	16.00	15.50	12.00	0.13
1787-F	18.00	17.00	12.00	0.13



Motor Mounting Pads

Part No.	HP	Motor Size	Tap Size	L	W	T	X
2757-1	1	143 TC	5/16-18 NC	2.00	2.00	0.75	0.50
	2	145 TC					
2757-2	3	182 TC	3/8-16 NC	2.50	2.00	0.75	0.75
	5	184 TC					
	7.5	213 TC					
2757-3	10	215 TC	1/2-13 NC	3.00	2.50	1.00	1.00
	15	254 TC					
	20	256 TC					
	25	284 TC					
2757-4	30	286 TC	5/8-11 NC	3.50	2.50	1.00	1.50
	40	324 TC					
	50	326 TC					
	60	364 TC					
2757-5	75	365 TC	3/4-10 NC	4.00	3.00	1.25	1.50
	100	405 TC					
	125	444 TC					
	150	445 TC					



Motor Spacers

Part No.	Motor Size	OD	Motor Pilot
2754-1	56 TC TO 145 TC	6.75	4.50
2754-2	182 TC TO 256 TC	9.00	8.50
2754-3	284 TC TO 286 TC	11.00	10.50
2754-4	324 TC TO 405 TC	13.00	12.50
2754-5	444 TC TO 445 TC	16.50	16.00