

When installed on new units or retrofitted to existing units, Sealum air breather adapters allow the hydraulic tank to “*breath*” and let the level of oil move up and down. Bayonet style breather adapters can be installed onto any existing bayonet style filler adapter, while the threaded breather adapters can be installed into any NPT port such as scullys and couplings. Both style adapters will accept standard filter or breather element.

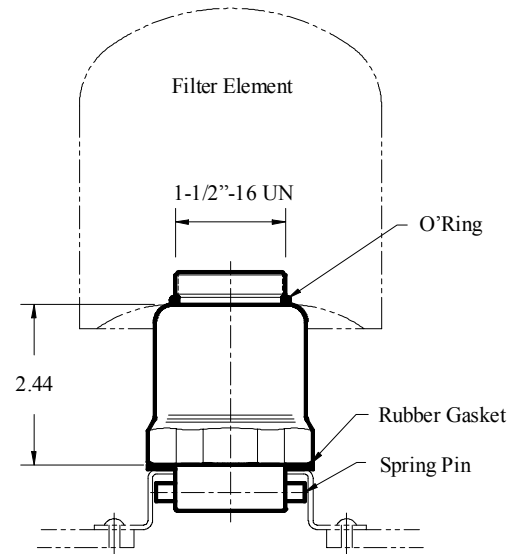
Bayonet Style Air Breather Adapter



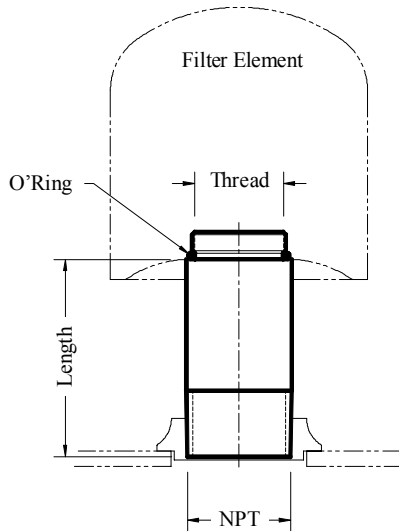
Bayonet Style Air Breather Adapter

Part Number: 2106

Material: Zinc Plated C1045 Steel
Comes with O’Ring & Gasket



NPT Breather Adapters



Material: 304 Stainless Steel
Comes Complete With O’Ring



NPT Breather Adapters

Part No.	Length	NPT	Thread
2747	2.00	3/4"	1"-12
2550	2.13	1"	1 1/8"-16
2551	3.00	1.25"	1 1/2"-16