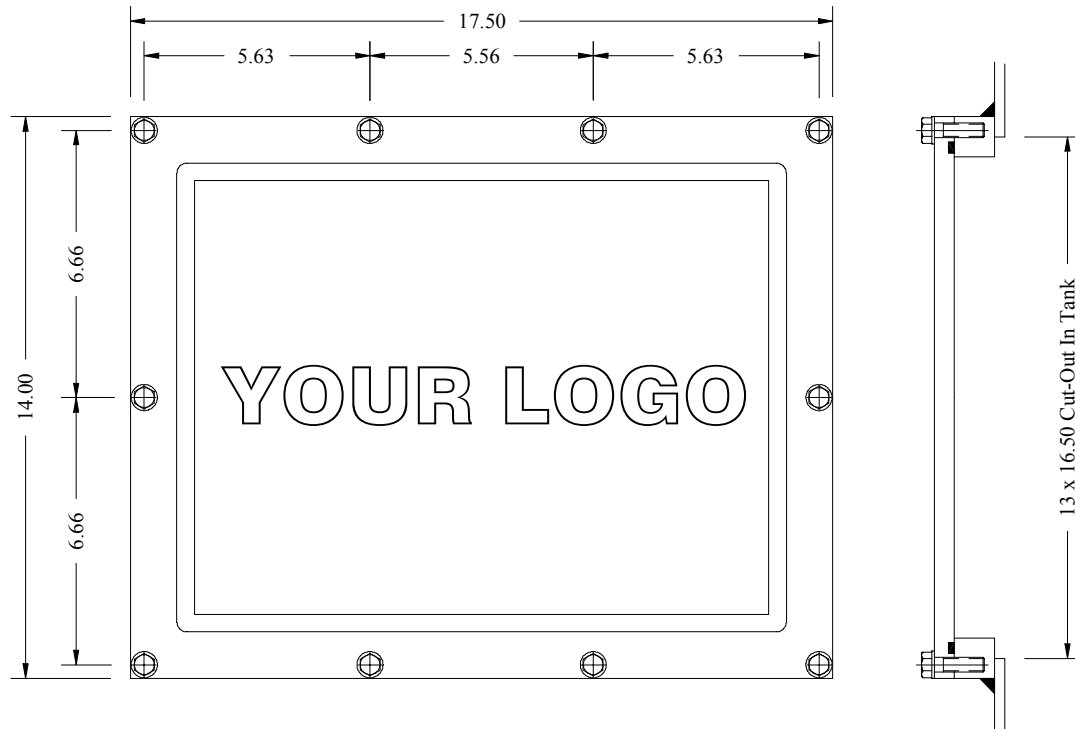


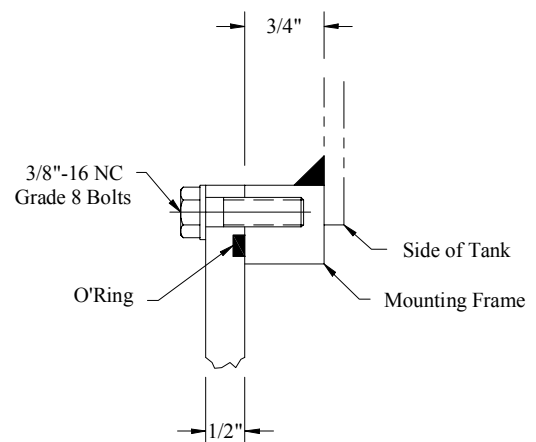
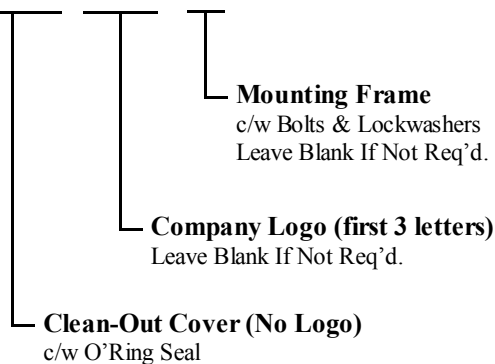
## Clean-Out Cover

SEALUM aluminium clean-out covers offer a quick easy way to install an access cover to any hydraulic reservoir. Simply by welding the mounting frame to the side of your reservoir the SEALUM clean-out cover can be bolted into place with bolts supplied. The clean-out cover seals with a standard 1/4" cross section O'Ring, and with ten blind mounting holes is ideal for pressurized reservoirs. To give your reservoir more of a *custom* look you can have your company logo machined into the face of the clean-out cover.



### Ordering Information

PART No. 2752-YOU-M



### Materials:

Cover Plate: 1/2" 6061-T6 extruded aluminum  
Mounting Frame: C1018 Steel