

Multiple Flange

Calzoni Motor - Cross Relief

Hydrostar KYB Motor - Cross Relief

Staffa Motor - Cross Relief



Hydrostar KYB Motor Manifold – Cross Relief

Direct Mount

MATL: STEEL

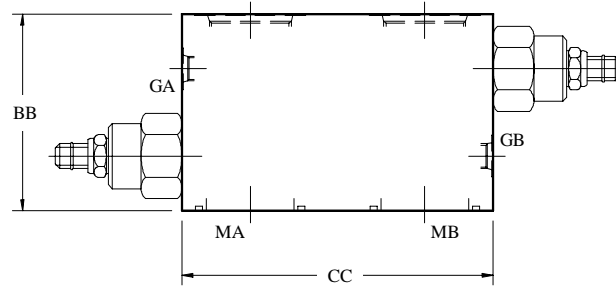
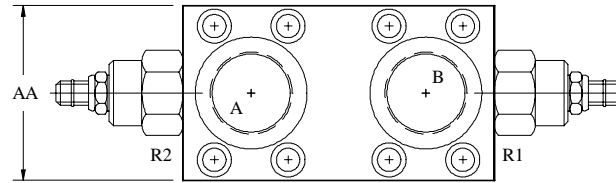
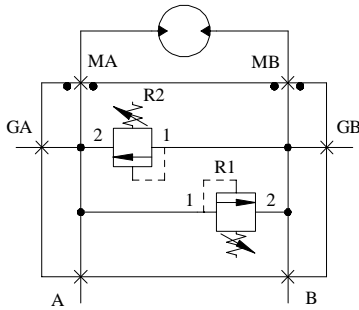
CARTRIDGES: COMPACT, PARKER, STANDARD, SUN AND VICKERS CAVITY (OR EQUIVALENT)
‘1’ IS NOSE OF CARTRIDGE.

GA, GB (GAGE): #6 SAE ORB

COMPLETE WITH O’RINGS AND BOLT KIT.

FOR PORT BLOCK ONLY SEE PAGE 62-6.

CONSULT CARTRIDGE MANUFACTURER FOR RATED PRESSURE, FLOW RATE AND CAVITY DETAIL



Part No.	Motor Model	R1, R2	A, B	AA	BB	CC
MB2461S	KYB MRH 12	COMPACT CP12-2	#12 (1 1/16-12)	3.00	3.50	4.19
MB2470S	KYB MRH 12	PARKER C12-2	#12 (1 1/16-12)	3.00	3.50	3.94
MB2478S	KYB MRH 12	VICKERS C-12-2	#12 (1 1/16-12)	3.00	3.50	4.19
MB212S	KYB MRH 12	SUN T-3A	#12 (1 1/16-12)	3.00	3.00	4.19
MB2474S	KYB MRH 30	COMPACT CP12-2	#12 (1 1/16-12)	3.00	3.50	4.31
MB2469S	KYB MRH 30	PARKER C12-2	#12 (1 1/16-12)	3.00	3.50	4.06
MB2476S	KYB MRH 30	VICKERS C-12-2	#12 (1 1/16-12)	3.00	3.50	4.31
MB213S	KYB MRH 30	SUN T-3A	#12 (1 1/16-12)	3.00	3.00	4.31
MB2466S	KYB MRH 45	STANDARD C-16-2	#16 (1 5/16-12)	3.00	4.00	5.25
MB343S	KYB MRH 45	SUN T-3A	#16 (1 5/16-12)	3.00	3.00	5.25
MB2457S	KYB MRH 60/270	STANDARD C-16-2	#20 (1 5/8-12)	3.50	4.00	5.50
MB346S	KYB MRH 60/270	SUN T-3A	#20 (1 5/8-12)	3.50	3.50	5.50
MB2473S	KYB MRHD 540	STANDARD C-16-2	#24 (1 7/8-12)	4.00	4.50	7.13
MB2468S	KYB MRHD 540	SUN T-16A	#24 (1 7/8-12)	4.00	4.50	7.13

CONTINUED ON NEXT PAGE

Hydrostar KYB Motor Manifold – Cross Relief

Direct Mount – KYB MRH 375/525

MATL: STEEL

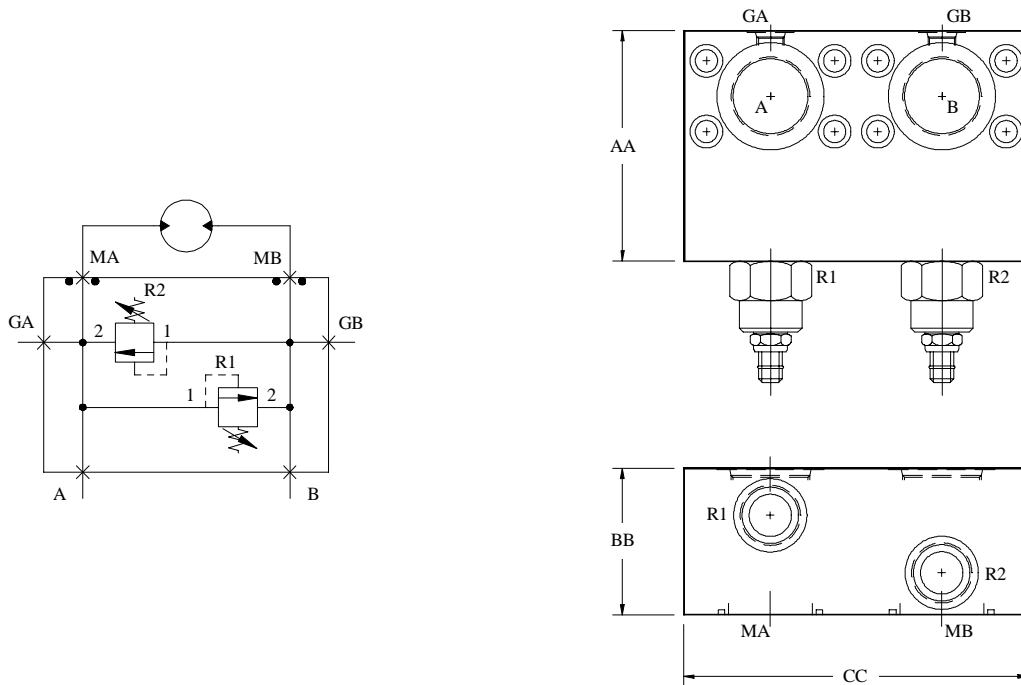
CARTRIDGES: STANDARD AND SUN CAVITY (OR EQUIVALENT)
‘1’ IS NOSE OF CARTRIDGE.

GA, GB (GAGE): #6 SAE ORB

COMPLETE WITH O’RINGS AND BOLT KIT.

FOR PORT BLOCK ONLY SEE PAGE 62-6.

CONSULT CARTRIDGE MANUFACTURER FOR RATED PRESSURE, FLOW RATE AND CAVITY DETAIL



Part No.	Motor Model	R1, R2	A, B	AA	BB	CC
MB2475S	KYB MRH 375/525	STANDARD C-16-2	#24 (1 7/8-12)	4.50	3.50	8.22
MB2479S	KYB MRH 375/525	SUN T-16A	#24 (1 7/8-12)	5.50	3.50	8.22

Staffa Motor Manifold – Cross Relief

Direct Mount – HMB010

MATL: STEEL

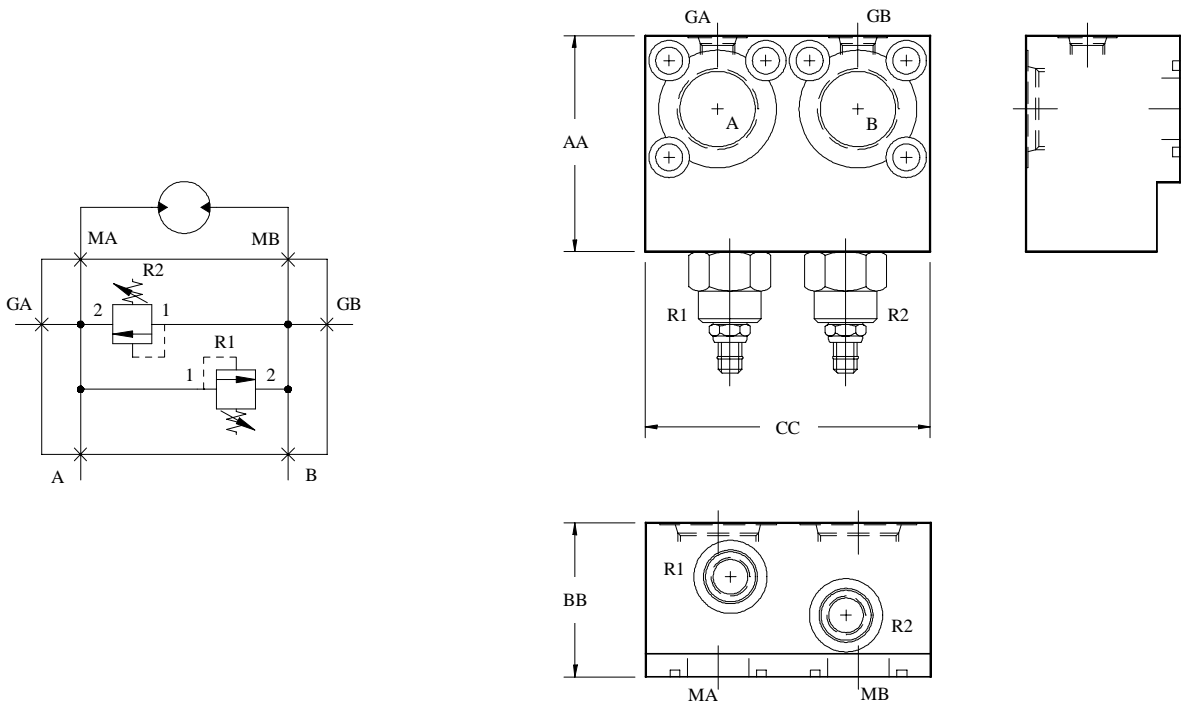
CARTRIDGES: STANDARD AND SUN CAVITY (OR EQUIVALENT)
‘1’ IS NOSE OF CARTRIDGE.

GA, GB (GAGE): #6 SAE ORB

COMPLETE WITH O’RINGS AND BOLT KIT.

FOR PORT BLOCK ONLY SEE PAGE 62-6.

CONSULT CARTRIDGE MANUFACTURER FOR RATED PRESSURE, FLOW RATE AND CAVITY DETAIL



Part No.	Motor Model	R1, R2	A, B	AA	BB	CC
MB2296S	HMB010	STANDARD C-10-2	#16 (1 5/16-12)	3.50	2.50	4.63
MB2299S	HMB010	SUN T-10A	#16 (1 5/16-12)	3.50	2.50	4.63

Staffa Motor Manifold – Cross Relief

Direct Mount – HMB030

MATL: STEEL

CARTRIDGES: STANDARD AND SUN CAVITY (OR EQUIVALENT)
‘1’ IS NOSE OF CARTRIDGE.

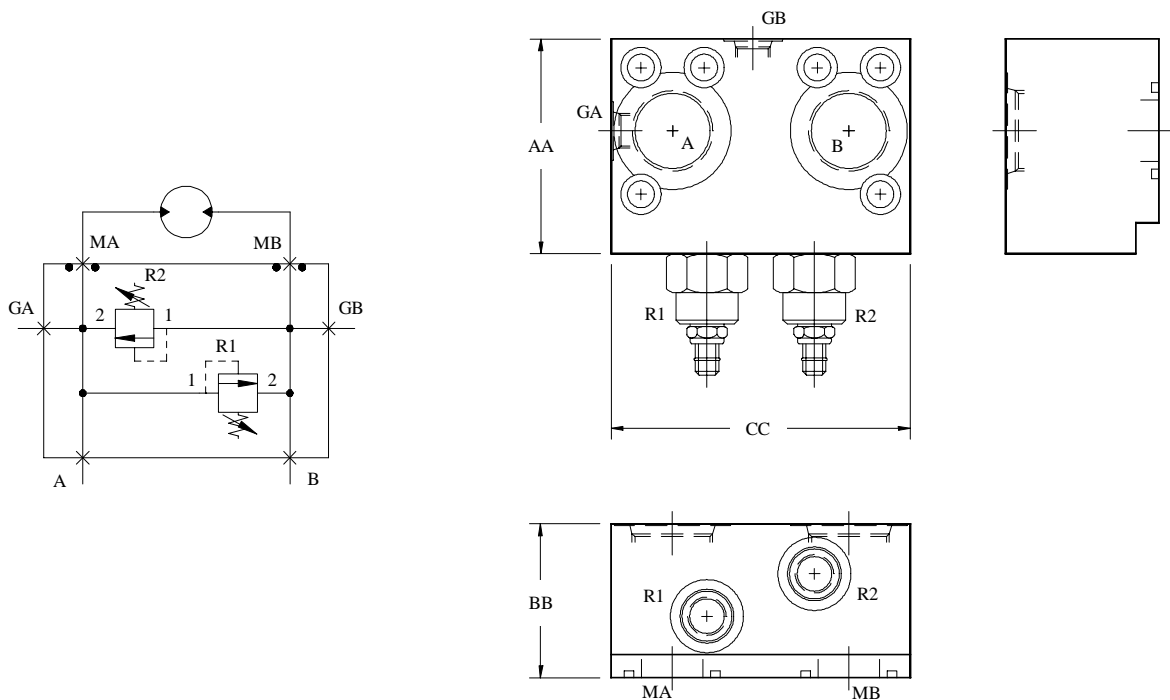
GA, GB (GAGE): #6 SAE ORB

COMPLETE WITH O’RINGS AND BOLT KIT.

PLEASE SPECIFY MODEL ‘F’ FOR IMPERIAL BOLTS AND ‘FM’ FOR METRIC BOLTS.

FOR PORT BLOCK ONLY SEE PAGE 62-6.

CONSULT CARTRIDGE MANUFACTURER FOR RATED PRESSURE, FLOW RATE AND CAVITY DETAIL



Part No.	Motor Model	R1, R2	A, B	AA	BB	CC
MB2242S	HMB030 'F' or 'FM'	STANDARD C-10-2	#16 (1 5/16-12)	3.50	2.50	4.88
MB2300S	HMB030 'F' or 'FM'	SUN T-10A	#16 (1 5/16-12)	3.75	2.50	4.88

Staffa Motor Manifold – Cross Relief

Direct Mount – S03, S04 Port Connection

MATL: STEEL

CARTRIDGES: STANDARD AND SUN CAVITY (OR EQUIVALENT)
‘1’ IS NOSE OF CARTRIDGE.

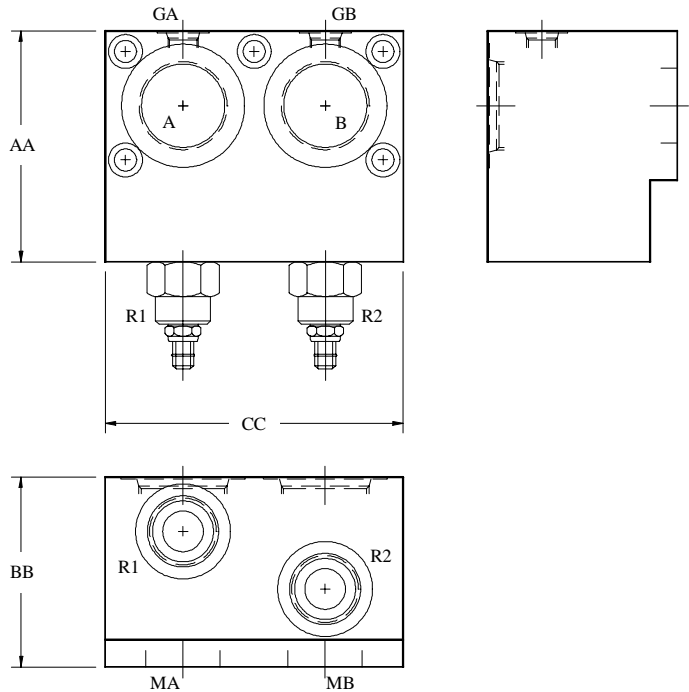
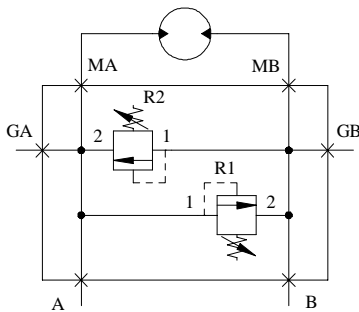
GA, GB (GAGE): #6 SAE ORB

COMPLETE WITH BOLT KIT.

FOR PORT BLOCK ONLY SEE PAGE 62-6.

CONSULT CARTRIDGE MANUFACTURER FOR RATED PRESSURE, FLOW RATE AND CAVITY DETAIL

Staffa Motor Model		
Series 1 – ‘S03’ Port Connection	Series 2 – ‘S04’ Port Connection	Series 3 – ‘S04’ Port Connection
HMB060	HMB060	HM(HD)B270
HMB080	HMB080	HM(HD)B325
HMB100	HMB100	HMC270
HM(HD)B125	HM(HD)B125	HMC325
HM(HD)B150	HM(HD)B150	
HM(HD)B200	HM(HD)B200	
HMC030	HMC200	
HMC045		
HMC080		
HMC125		
HMC200		



Part No.	Motor Model (see above chart)	R1, R2	A, B	AA	BB	CC
MB1425S	Series 1	STANDARD C-16-2	#16 (1 5/16-12)	4.00	3.50	4.75
MB2214S	Series 1	SUN T-3A	#16 (1 5/16-12)	4.00	3.50	4.75
MB2215S	Series 2	STANDARD C-16-2	#16 (1 5/16-12)	4.00	3.50	4.50
MB2124S	Series 2	SUN T-3A	#16 (1 5/16-12)	4.00	3.50	4.50
MB2297S	Series 3	STANDARD C-16-2	#20 (1 5/8-12)	4.25	3.50	5.50
MB2301S	Series 3	SUN T-3A	#20 (1 5/8-12)	4.25	3.50	5.50

Staffa Motor Manifold – Cross Relief

Direct Mount – HMHDB400

MATL: STEEL

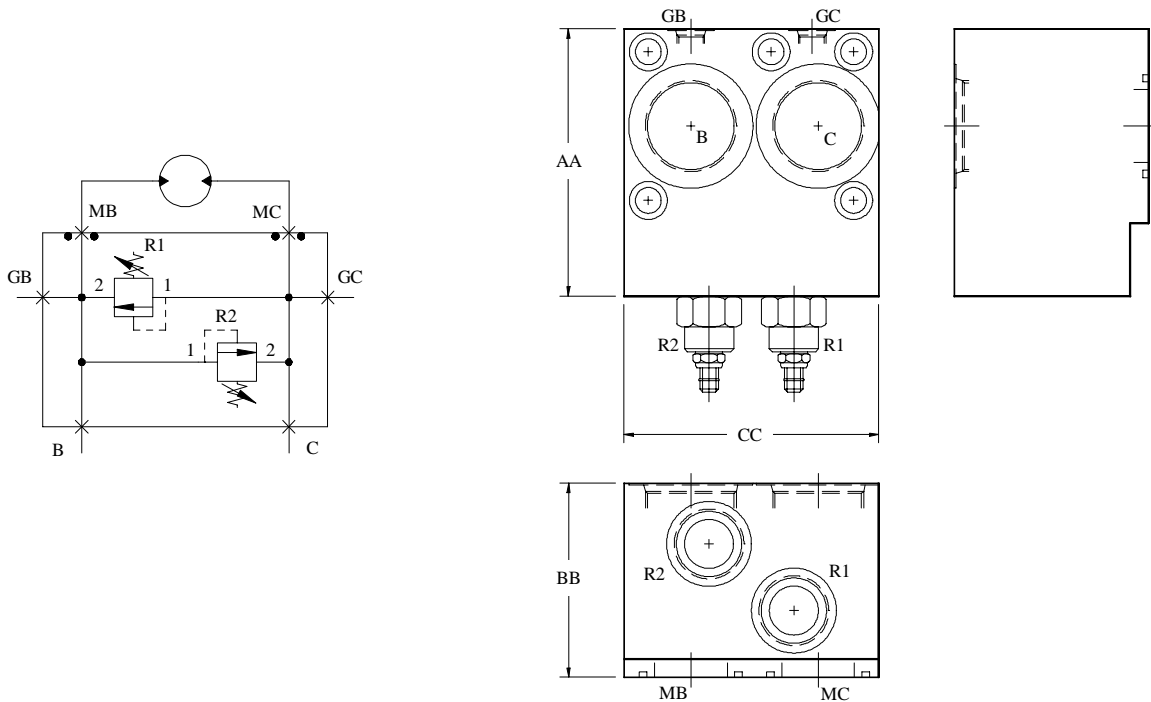
CARTRIDGES: STANDARD AND SUN CAVITY (OR EQUIVALENT)
‘1’ IS NOSE OF CARTRIDGE.

GA, GB (GAGE): #6 SAE ORB

COMPLETE WITH O’RINGS AND BOLT KIT.

FOR PORT BLOCK ONLY SEE PAGE 62-6.

CONSULT CARTRIDGE MANUFACTURER FOR RATED PRESSURE, FLOW RATE AND CAVITY DETAIL



Part No.	Motor Model	R1, R2	B, C	AA	BB	CC
MB2298S	HMHDB400	STANDARD C-16-2	#24 (1 7/8-12)	5.00	4.00	5.25
MB2302S	HMHDB400	SUN T-16A	#24 (1 7/8-12)	5.50	4.00	5.25

Calzoni Motor Manifold – Cross Relief

Direct Mount

MATL: STEEL

CARTRIDGES: STANDARD AND SUN CAVITY (OR EQUIVALENT)
‘1’ IS NOSE OF CARTRIDGE.

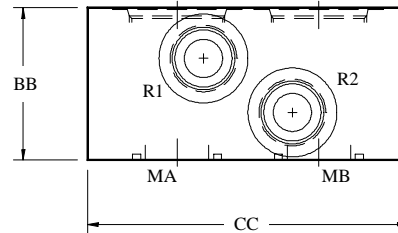
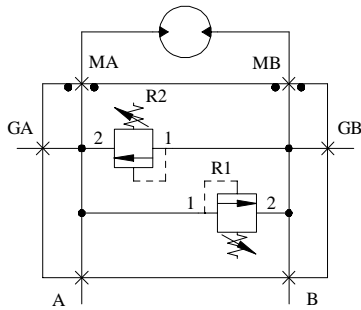
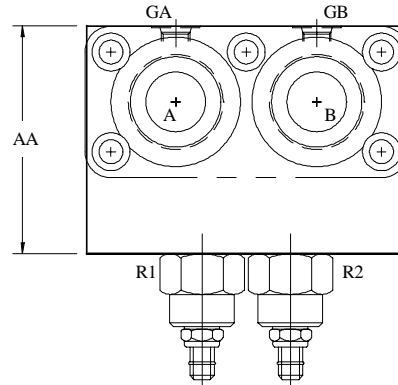
GA, GB (GAGE): #6 SAE ORB

COMPLETE WITH O’RINGS AND BOLT KIT.

FOR PORT BLOCK ONLY SEE PAGE 62-6.

CONSULT CARTRIDGE MANUFACTURER FOR RATED PRESSURE, FLOW RATE AND CAVITY DETAIL

Calzoni Motor Model				
Series 1	Series 2	Series 3	Series 4	Series 5
MR190	MR450	MR1100	MR2400	MR3600
MR300	MR700	MR1800	MR2800	MR4500
		MRE1400	MRE3100	MR7000
		MRE2100		MRE5400
				MRE8500



Part No.	Motor Model (see above chart)	R1, R2 Cavity	A, B SAE ORB	AA	BB	CC
MB2460S	Series 1	STANDARD C-10-2	#12 (1 1/16-12)	3.00	2.50	4.75
MB2464S	Series 2	STANDARD C-16-2	#20 (1 5/8-12)	4.00	3.00	5.63
MB2323S	Series 3	STANDARD C-16-2	#24 (1 7/8-12)	4.50	3.00	6.31
MB2471S	Series 4	STANDARD C-16-2	1 1/2 C61	5.00	4.00	8.13
MB2463S	Series 1	SUN T-10A	#12 (1 1/16-12)	3.25	2.50	4.75
MB2472S	Series 2	SUN T-3A	#20 (1 5/8-12)	4.00	3.00	5.63
MB2477S	Series 3	SUN T-16A	#24 (1 7/8-12)	5.00	3.50	6.31
MB2465S	Series 4	SUN T-16A	1 1/2 C61	5.25	4.00	8.13
MB2462S	Series 5	SUN T-18A	2 C61	6.38	5.00	9.13