

Subplates

Directional Valves

Servo Valves

Surface Mounted Valves

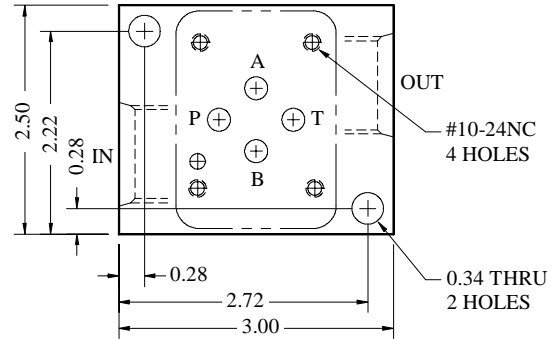
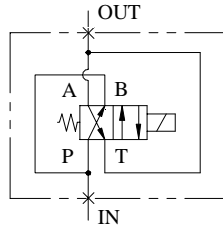


Double Flow Manifold

D03

PART NO: **MB1083S**
MATL: **STEEL**
PRESSURE: **5000 PSI**
IN, OUT: **#12 SAE ORB**

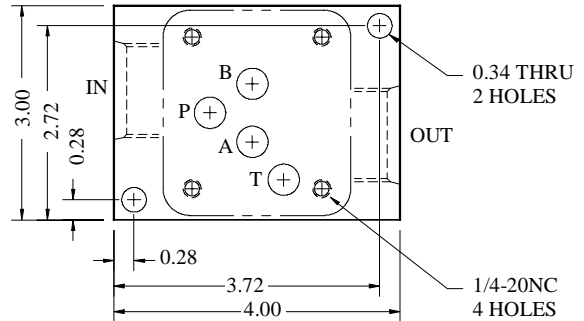
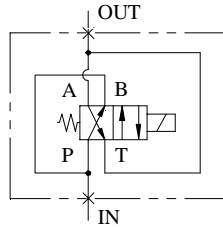
2" THICK



D05

PART NO: **MB1085S**
MATL: **STEEL**
PRESSURE: **5000 PSI**
IN, OUT: **#16 SAE ORB**

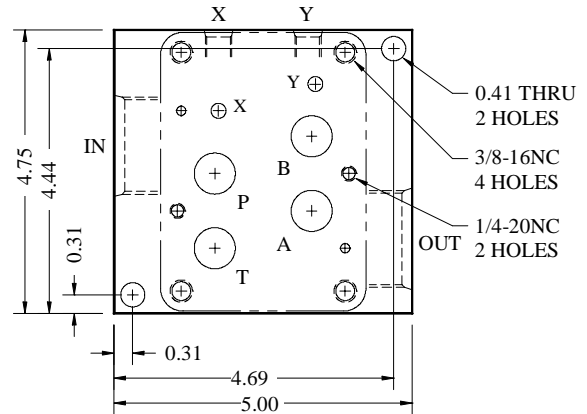
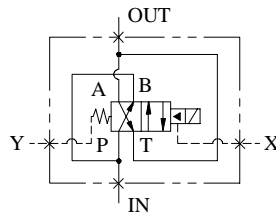
2" THICK



D07

PART NO: **MB1974S**
MATL: **STEEL**
PRESSURE: **5000 PSI**
IN, OUT: **#20 SAE ORB**
X, Y: **#4 SAE ORB**

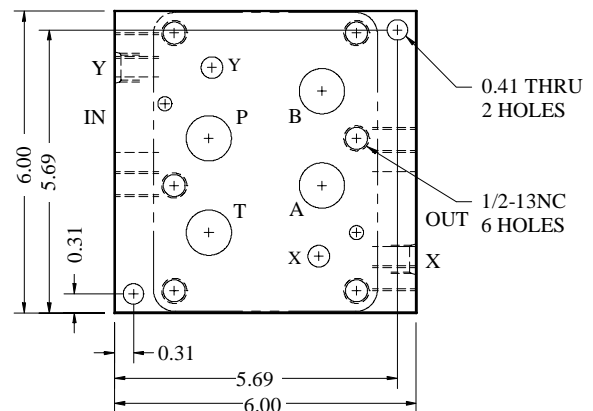
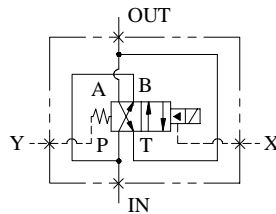
2 1/2" THICK



D08

PART NO: **MB1434S**
MATL: **STEEL**
PRESSURE: **3000 PSI WORKING PRESSURE**
IN, OUT: **1 1/2 C61 SAE 4-BOLT FLANGE**
X, Y: **#6 SAE ORB**

4" THICK



FOR DIMENSIONS OF FLANGE PORTS AND PRESSURE RATING SEE PAGE 41-12.

FLANGE MOUNTING HOLES ARE IN INCHES.

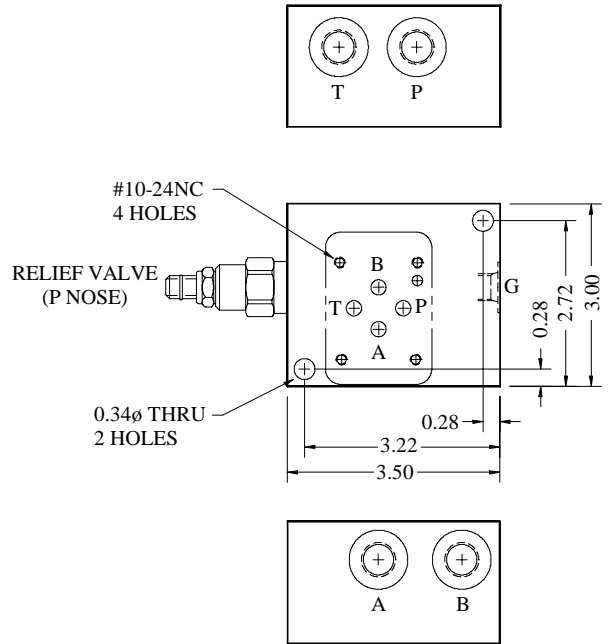
Directional Subplate

D03 - SAE ORB SIDE PORT

MB201-0-8AM

- M - WITH 1/2" MOUNTING PLATE
(OMIT IF NO MOUNTING PLATE)
- A - 6061T6 ALUMINUM 3000 PSI
- S - C1018 STEEL 5000 PSI
- 8 - #8 SAE ORB
- 0 - NO CAVITY
- M - C-10-2 CAVITY
- S - SUN T-10A CAVITY

TO ORDER MOUNTING PLATE ONLY: **MB581-3**
G (GAGE ON P): #4 SAE ORB
2" THICK

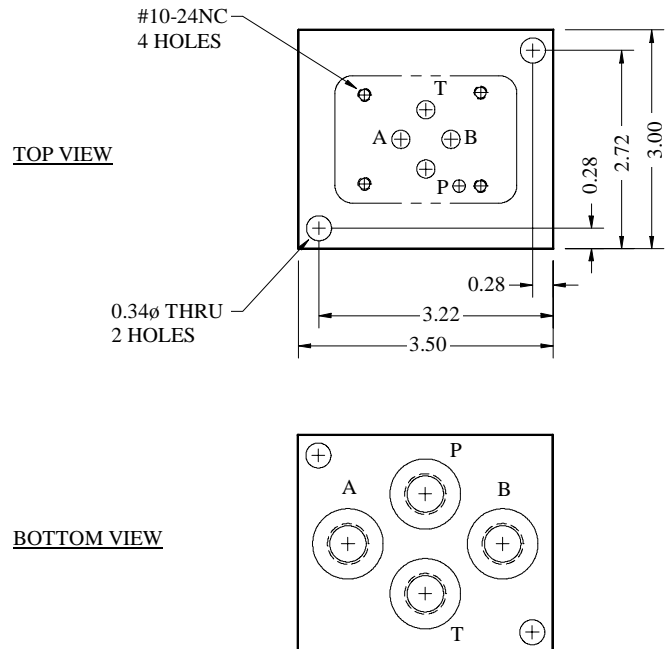


D03 - SAE ORB BOTTOM PORT

MB606-8A

- A - 6061T6 ALUMINUM 3000 PSI
- S - C1018 STEEL 5000 PSI
- 8 - #8 SAE ORB

1 1/4" THICK



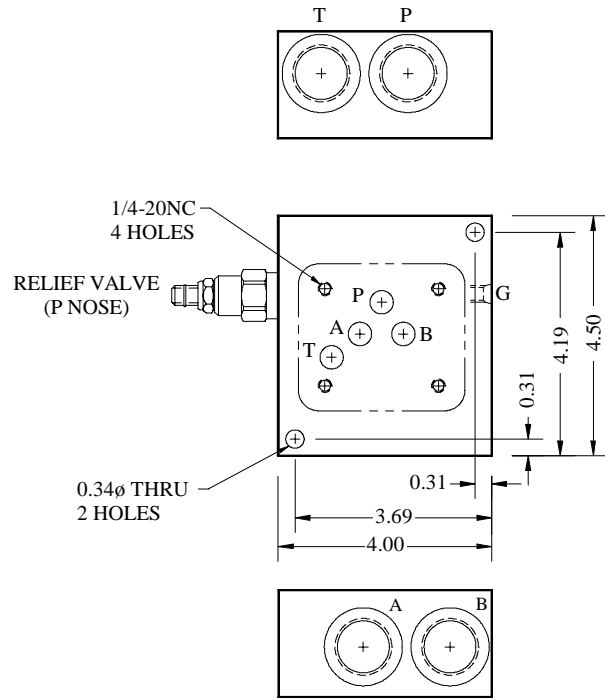
Directional Subplate

D05 - SAE ORB SIDE PORT

MB202-0-12AM

- M - WITH 1/2" MOUNTING PLATE
(OMIT IF NO MOUNTING PLATE)
- A - 6061T6 ALUMINUM 3000 PSI
- S - C1018 STEEL 5000 PSI
- 12 - #12 SAE ORB
- 0 - NO CAVITY
- M - C-10-2 CAVITY
- S - SUN T-10A CAVITY

TO ORDER MOUNTING PLATE ONLY: **MB581-5**
G (GAGE ON P): #4 SAE ORB
2" THICK

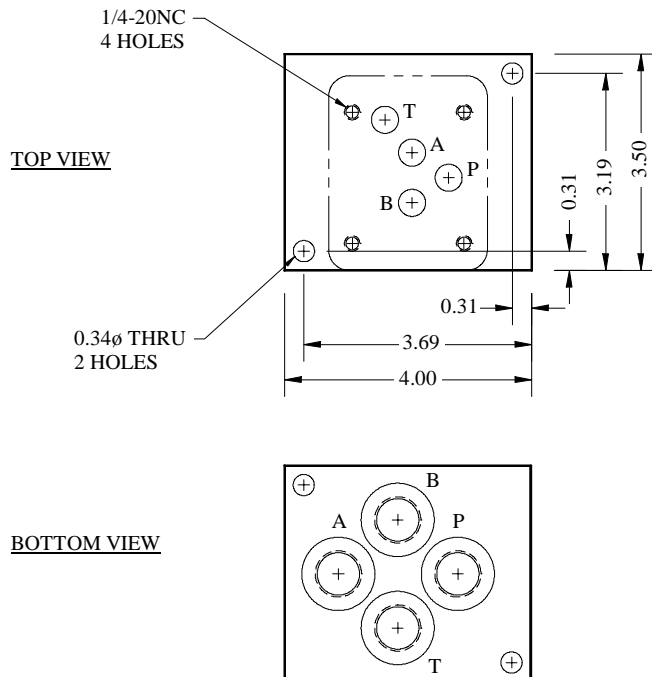


D05 - SAE ORB BOTTOM PORT

MB564-8A

- A - 6061T6 ALUMINUM 3000 PSI
- S - C1018 STEEL 5000 PSI
- 8 - #8 SAE ORB

1 1/4" THICK

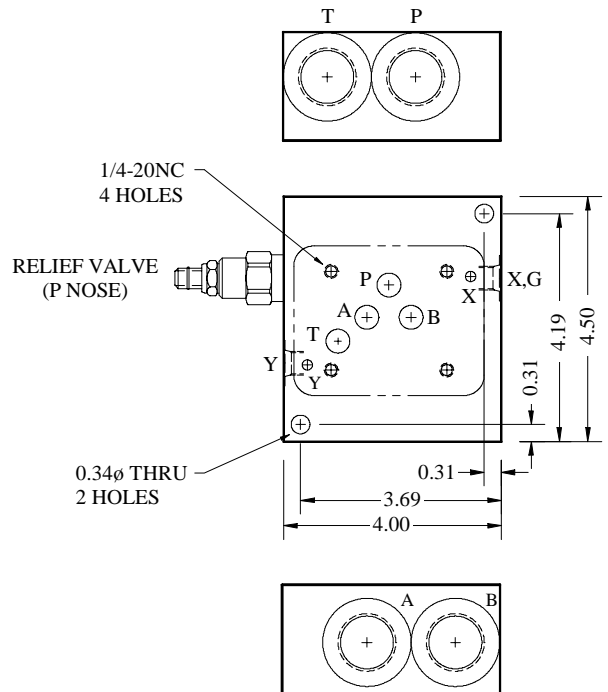


Directional Subplate

D05H - SAE ORB SIDE PORT

MB203-0-12AM

- M - WITH 1/2" MOUNTING PLATE
(OMIT IF NO MOUNTING PLATE)
- A - 6061T6 ALUMINUM 3000 PSI
- S - C1018 STEEL 5000 PSI
- 12 - #12 SAE ORB
- 0 - NO CAVITY
- M - C-10-2 CAVITY
- S - SUN T-10A CAVITY

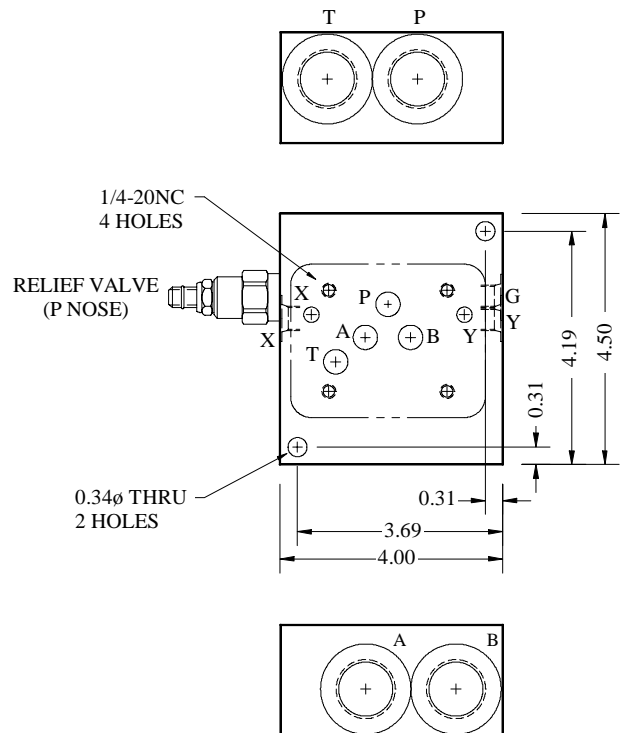


TO ORDER MOUNTING PLATE ONLY: **MB581-5**
X, Y, G (GAGE ON P): #4 SAE ORB
2" THICK

D05HE - SAE ORB SIDE PORT

MB504-0-12AM

- M - WITH 1/2" MOUNTING PLATE
(OMIT IF NO MOUNTING PLATE)
- A - 6061T6 ALUMINUM 3000 PSI
- S - C1018 STEEL 5000 PSI
- 12 - #12 SAE ORB
- 0 - NO CAVITY
- M - C-10-2 CAVITY
- S - SUN T-10A CAVITY



TO ORDER MOUNTING PLATE ONLY: **MB581-5**
X, Y, G (GAGE ON P): #4 SAE ORB
2" THICK

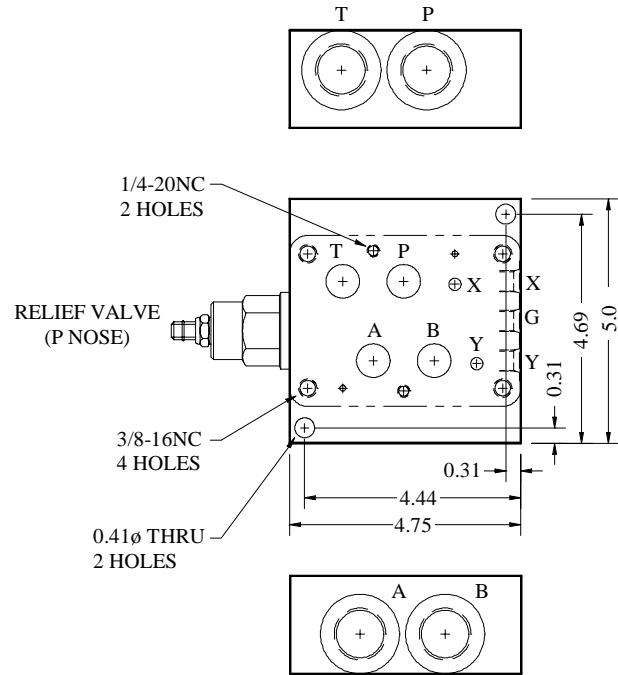
Directional Subplate

D07 - SAE ORB SIDE PORT

MB654-0-12AM

- M - WITH 1/2" MOUNTING PLATE
(OMIT IF NO MOUNTING PLATE)
- A - 6061T6 ALUMINUM 3000 PSI
- S - C1018 STEEL 5000 PSI
- 12 - #12 SAE ORB
- 16 - #16 SAE ORB
- 0 - NO CAVITY
- M - C-16-2 CAVITY
- S - SUN T-3A CAVITY

TO ORDER MOUNTING PLATE ONLY: **MB831-7**
 X, Y, G (GAGE ON P): #4 SAE ORB
 2" THICK FOR #12 SAE ORB
 2 1/2" THICK FOR #16 SAE ORB

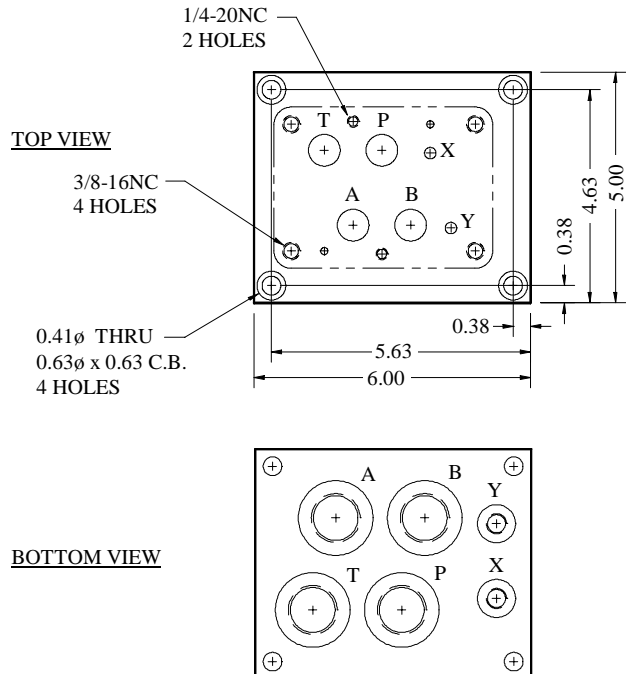


D07 - SAE ORB BOTTOM PORT

MB2210-12A

- A - 6061T6 ALUMINUM 3000 PSI
- S - C1018 STEEL 5000 PSI
- 12 - #12 SAE ORB
- 16 - #16 SAE ORB

X, Y: #4 SAE ORB
2" THICK



Directional Subplate

D07 - SAE 4-BOLT FLANGE SIDE PORT

MC1466-0-20C1S

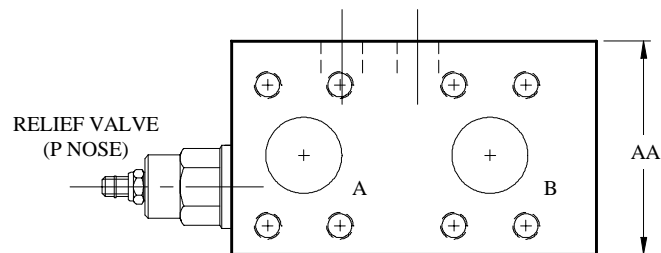
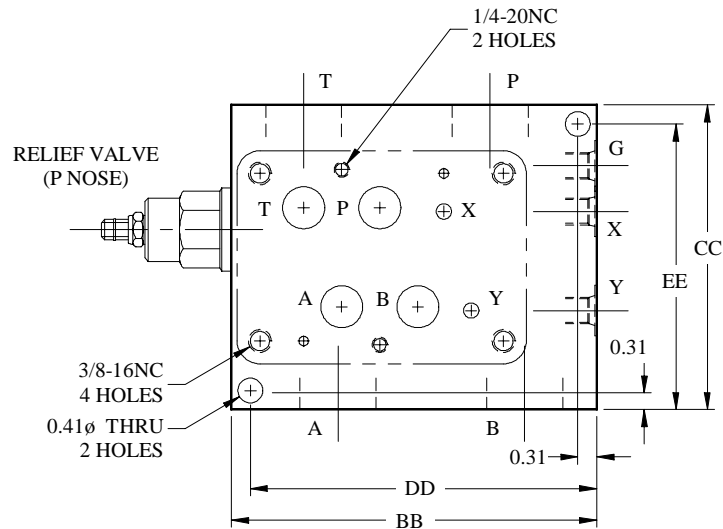
20C1S - 1 1/4 C61 P, T, A, B
20C2S - 1 1/4 C62 P, A, B 1 1/4 C61 T
24C1S - 1 1/2 C61 P, T, A, B
24C2S - 1 1/2 C62 P, A, B 1 1/2 C61 T

0 - NO RELIEF CAVITY
M - STD C-16-2 CAVITY
S - SUN T-3A CAVITY

X, Y, G (GAGE): #4 SAE ORB
MATL: STEEL

FOR DIMENSIONS OF FLANGE PORTS AND
PRESSURE RATING SEE PAGE 41-12.

FLANGE MOUNTING HOLES ARE IN INCHES.



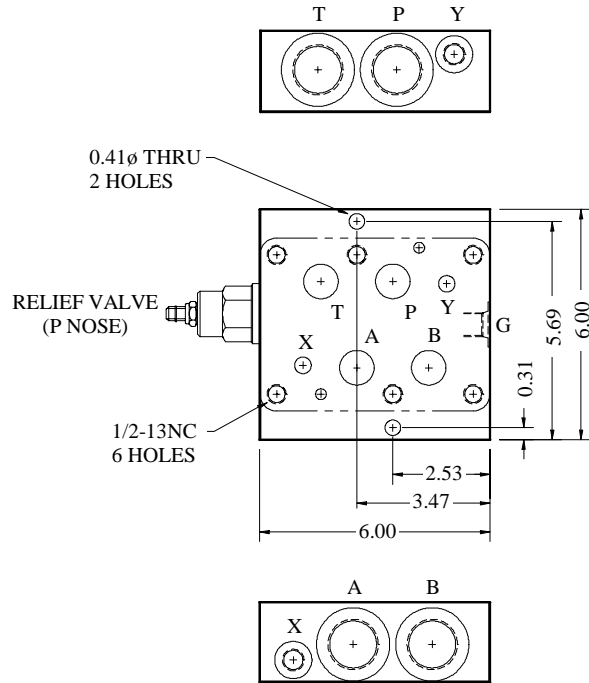
Part No.	P, A, B	T	AA	BB	CC	DD	EE
MC1466 - * - 20C1S	1 1/4 C61	1 1/4 C61	3.50	6.00	5.00	5.69	4.69
MC1466 - * - 20C2S	1 1/4 C62	1 1/4 C61	4.00	6.25	5.00	5.94	4.69
MC1466 - * - 24C1S	1 1/2 C61	1 1/2 C61	4.00	6.63	5.00	6.31	4.69
MC1466 - * - 24C2S	1 1/2 C62	1 1/2 C61	5.00	7.00	5.25	4.13	4.94

Directional Subplate

D08 - SAE ORB SIDE PORT

MB652-0-16AM

- M - WITH 1/2" MOUNTING PLATE
(OMIT IF NO MOUNTING PLATE)
- A - 6061T6 ALUMINUM 3000 PSI
S - C1018 STEEL 5000 PSI
- 16 - #16 SAE ORB
20 - #20 SAE ORB
- 0 - NO CAVITY
M - C-16-2 CAVITY
S - SUN T-3A CAVITY
S1 - SUN T-16A CAVITY



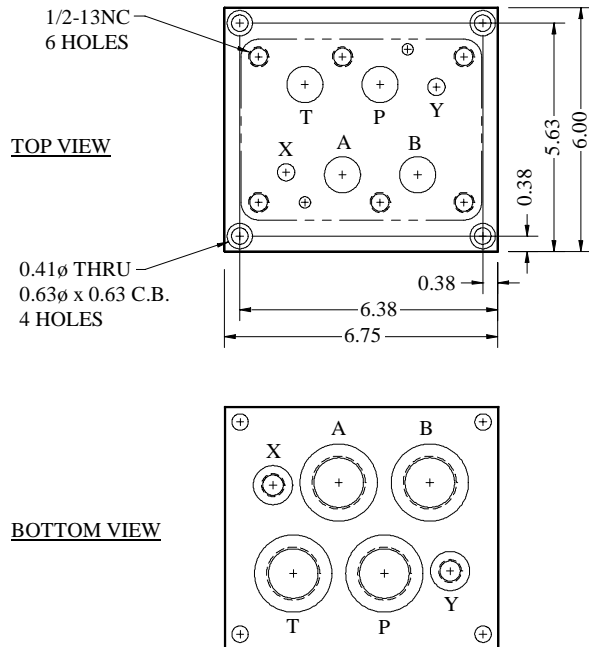
TO ORDER MOUNTING PLATE ONLY: **MB831-8**

X, Y: #6 SAE ORB
G (GAGE ON P): #4 SAE ORB
2" THICK FOR #16 SAE ORB
3" THICK FOR #20 SAE ORB

D08 - SAE ORB BOTTOM PORT

MB2211-16A

- A - 6061T6 ALUMINUM 3000 PSI
S - C1018 STEEL 5000 PSI
- 16 - #16 SAE ORB
20 - #20 SAE ORB



X, Y: #6 SAE ORB
1 1/2" THICK FOR #16 SAE ORB
2 1/2" THICK FOR #20 SAE ORB

Directional Subplate

D08 - SAE 4-BOLT FLANGE SIDE PORT

MC1313-0-20C1S

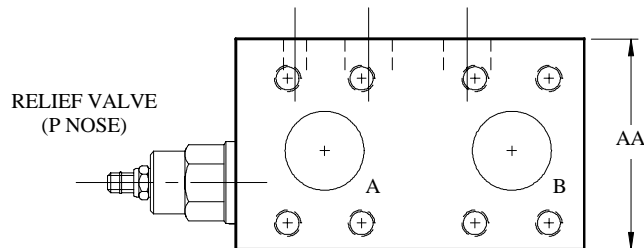
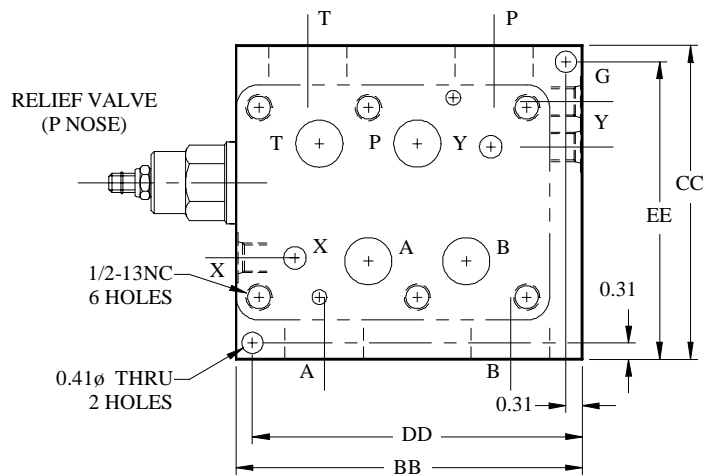
- 20C1S - 1 1/4 C61 P, T, A, B
- 20C2S - 1 1/4 C62 P, A, B 1 1/4 C61 T
- 24C1S - 1 1/2 C61 P, T, A, B
- 24C2S - 1 1/2 C62 P, A, B 1 1/4 C61 T
- 32C1S - 2 C61 P, T, A, B
- 32C2S - 2 C62 P, A, B 2 C61 T

- 0 - NO RELIEF CAVITY
- M - STD C-16-2 CAVITY
- S - SUN T-16A CAVITY

X, Y, G (GAGE): # 6 SAE ORB
MATL: STEEL

FOR DIMENSIONS OF FLANGE PORTS AND
PRESSURE RATING SEE PAGE 41-12.

FLANGE MOUNTING HOLES ARE IN INCHES.



Part No.	P, A, B	T	AA	BB	CC	DD	EE
MC1313 - * - 20C1S	1 1/4 C61	1 1/4 C61	3.50	6.00	6.00	5.69	5.69
MC1313 - * - 20C2S	1 1/4 C62	1 1/4 C61	4.00	6.25	6.00	5.94	5.69
MC1313 - * - 24C1S	1 1/2 C61	1 1/2 C61	4.00	6.63	6.00	6.31	5.69
MC1313 - * - 24C2S	1 1/2 C62	1 1/2 C61	5.00	7.00	6.25	4.13	5.94
MC1313 - * - 32C1S	2 C61	2 C61	4.50	7.50	6.00	4.38	5.69
MC1313 - * - 32C2S	2 C62	2 C61	6.00	8.38	6.50	4.75	6.19

Directional Subplate

D10 - SAE ORB OR SAE 4-BOLT SIDE PORT

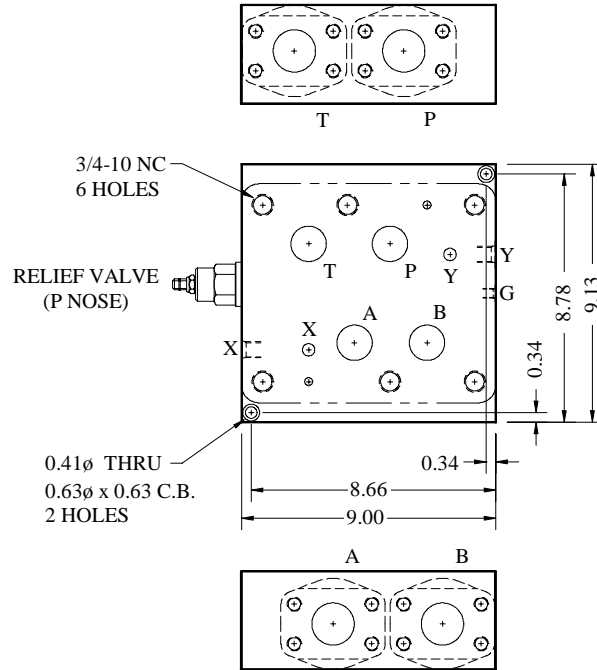
MC700-0-24C1S

- S - 44W STEEL
(5000 PSI SAE ORB PORTS)
(4000 PSI FLANGE PORTS)
- 24 - #24 SAE ORB
24C1 - 1 1/2 CODE 61
4-BOLT COMP FLANGE
- 0 - NO CAVITY
S - SUN T-18A CAVITY

X, Y: #8 SAE ORB
G (GAGE ON P): #4 SAE ORB
3" THICK (SAE ORB PORTS)
3 1/2" THICK (FLANGE PORTS)

FOR DIMENSIONS OF FLANGE PORTS AND PRESSURE RATING
SEE PAGE 41-12.

FLANGE MOUNTING HOLES ARE IN INCHES.

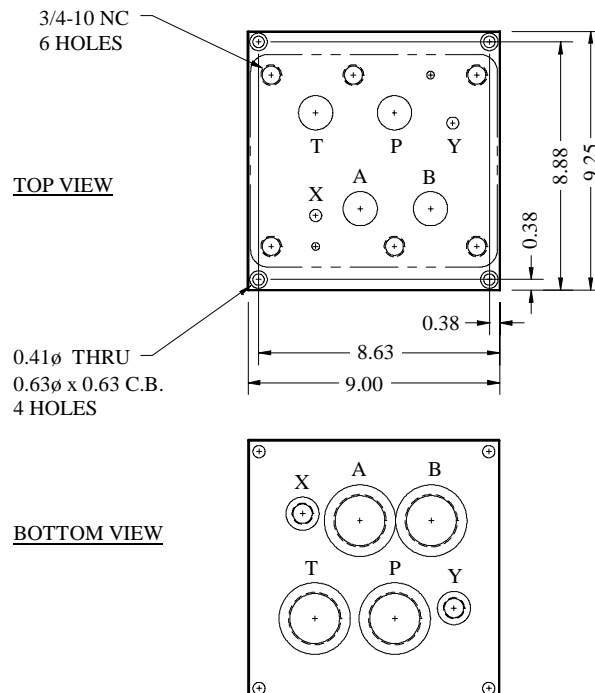


D10 - SAE ORB BOTTOM PORT

MC1467-24S

- S - 44W STEEL 5000 PSI
- 24 - #24 SAE ORB

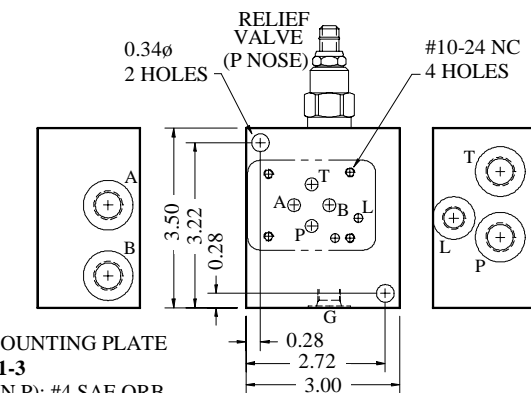
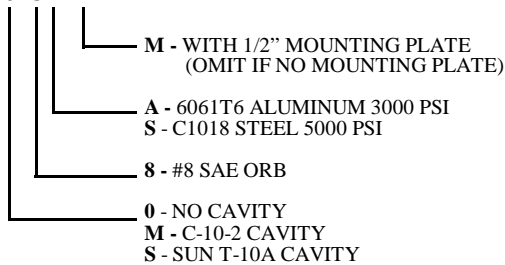
X, Y: #8 SAE ORB
1 1/2" THICK



Directional Subplate with L

D03 With L - SAE ORB SIDE PORT

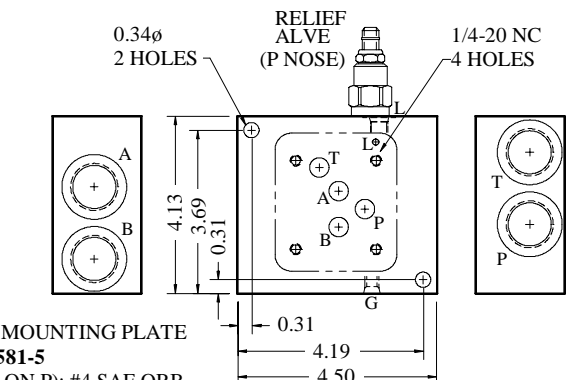
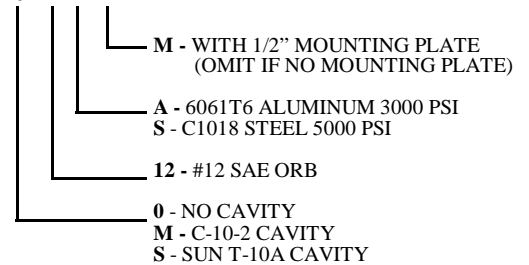
MB2555-0-8AM



TO ORDER MOUNTING PLATE ONLY: **MB581-3**
L, G (GAGE ON P): #4 SAE ORB
2" THICK

D05 With L - SAE ORB SIDE PORT

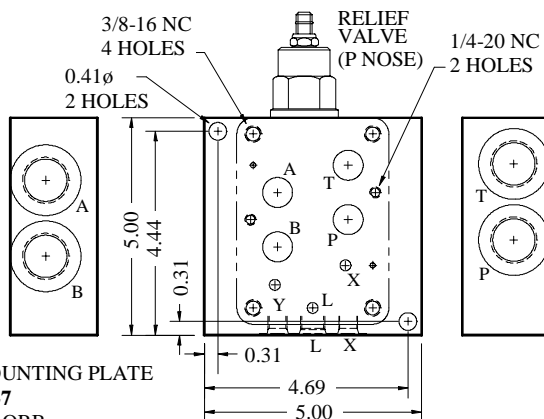
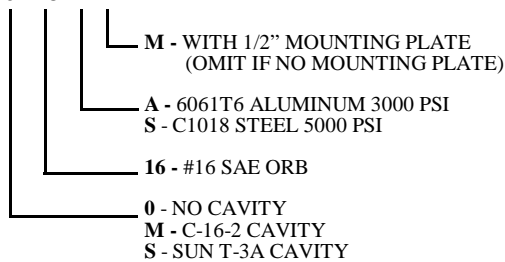
MB2556-0-12AM



TO ORDER MOUNTING PLATE ONLY: **MB581-5**
L, G (GAGE ON P): #4 SAE ORB
2" THICK

D07 With L - SAE ORB SIDE PORT

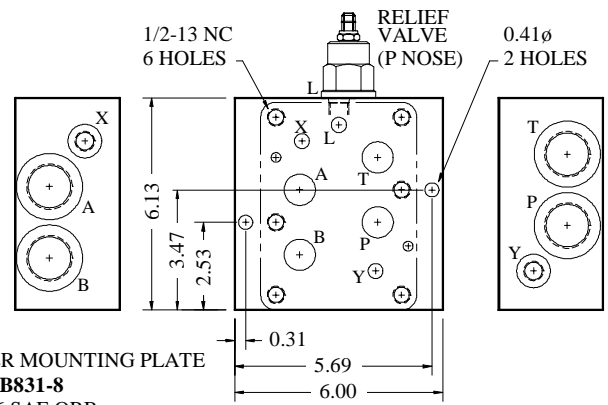
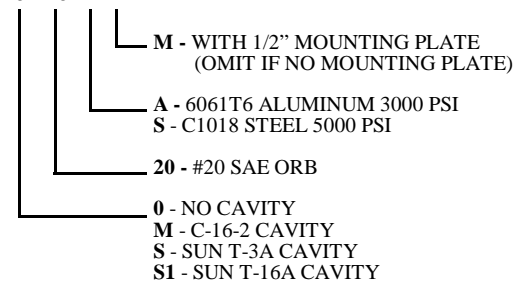
MB2557-0-16-AM



TO ORDER MOUNTING PLATE ONLY: **MB831-7**
L, X, Y: #4 SAE ORB
2 1/2" THICK

D08 With L - SAE ORB SIDE PORT

MB2558-0-20-AM



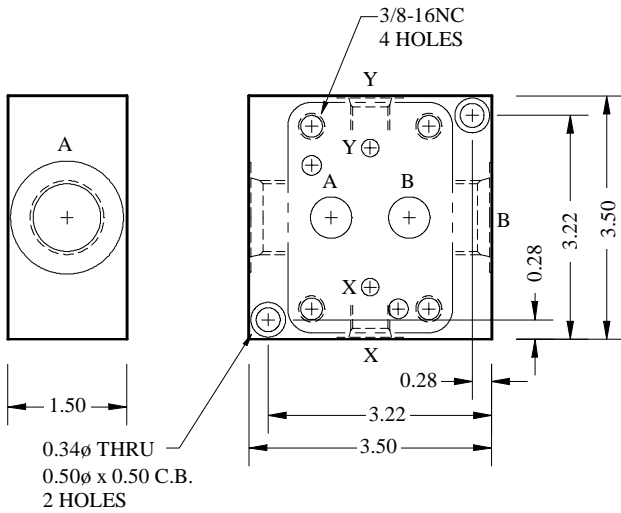
TO ORDER MOUNTING PLATE ONLY: **MB831-8**
L, X, Y: #6 SAE ORB
3" THICK

Surface Mounted Valve Subplate - SAE ORB Ports

P06 - SIDE PORT

PART NO: **MB532-12S**

MATL: **STEEL**
PRESSURE: **5000 PSI**
A, B: **#12 SAE ORB**
X, Y: **#6 SAE ORB**



P06 - BOTTOM

PART NO: **MB529-12S**

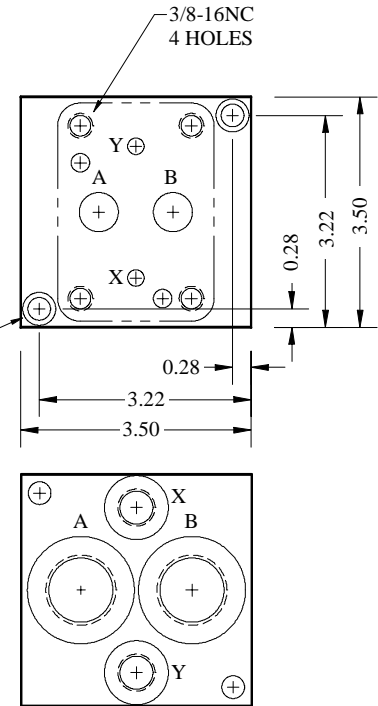
MATL: **STEEL**
PRESSURE: **5000 PSI**
A, B: **#12 SAE ORB**
X, Y: **#6 SAE ORB**

1 1/2" THICK

TOP VIEW

0.34 ϕ THRU
0.50 ϕ x 0.50 C.B.
2 HOLES

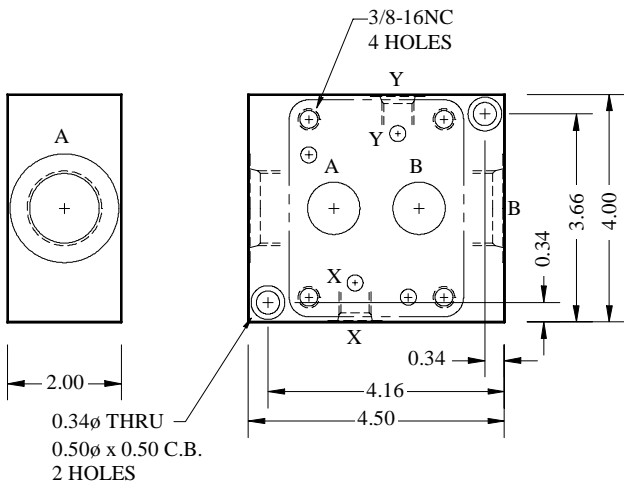
BOTTOM VIEW



P08 - SIDE PORT

PART NO: **MB530-16S**

MATL: **STEEL**
PRESSURE: **5000 PSI**
A, B: **#16 SAE ORB**
X, Y: **#6 SAE ORB**



P08 - BOTTOM PORT

PART NO: **MB527-16S**

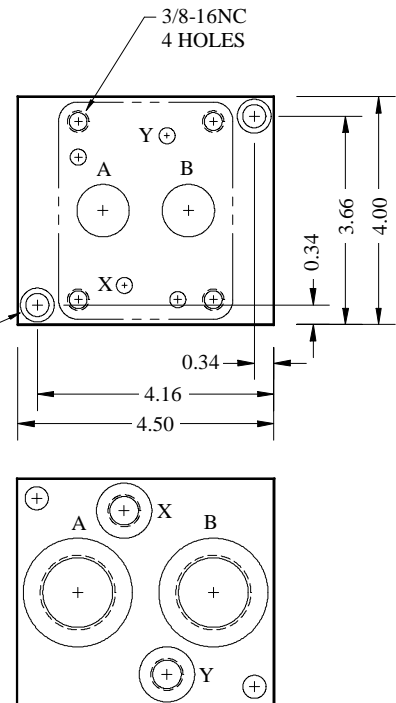
MATL: **STEEL**
PRESSURE: **5000 PSI**
A, B: **#16 SAE ORB**
X, Y: **#6 SAE ORB**

2" THICK

TOP VIEW

0.34 ϕ THRU
0.50 ϕ x 0.50 C.B.
2 HOLES

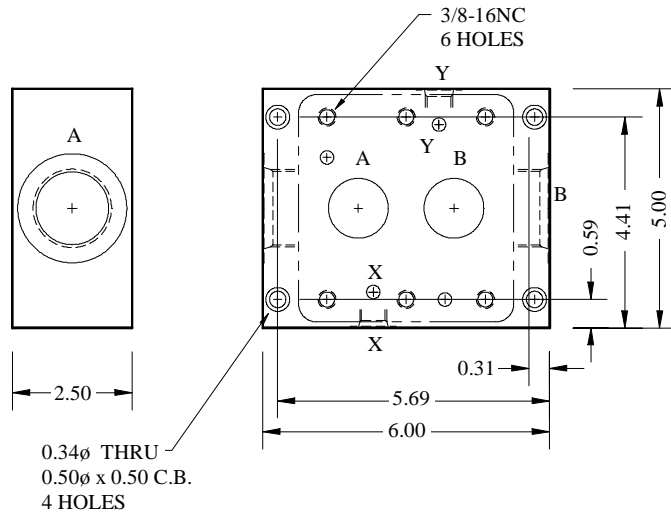
BOTTOM VIEW



Surface Mounted Valve Subplate – SAE ORB Ports

P10 - SIDE PORT

PART NO: **MB528-20S**
MATL: **STEEL**
PRESSURE: **5000 PSI**
A, B: **#20 SAE ORB**
X, Y: **#6 SAE ORB**

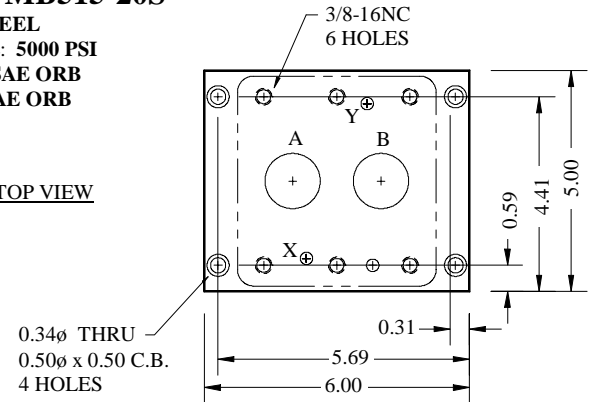


P10 - BOTTOM PORT

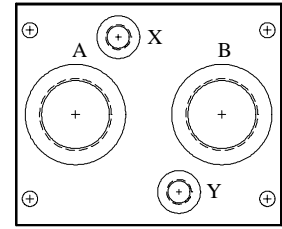
PART NO: **MB515-20S**
MATL: **STEEL**
PRESSURE: **5000 PSI**
A, B: **#20 SAE ORB**
X, Y: **#6 SAE ORB**

2" THICK

TOP VIEW

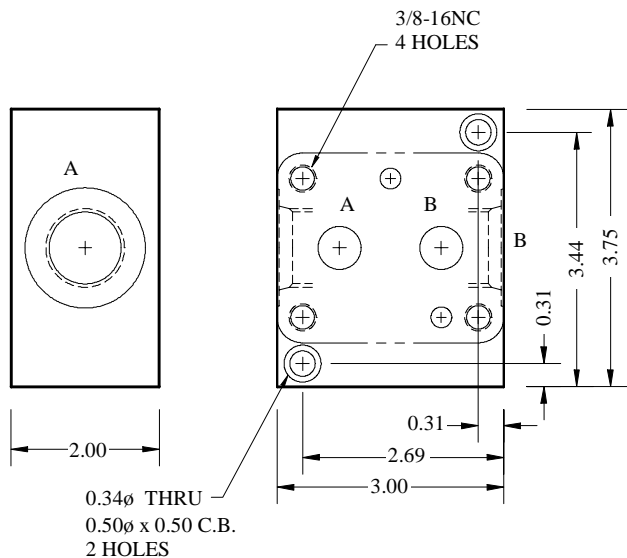


BOTTOM VIEW



C03 - SIDE PORT

PART NO: **MB992-12S**
MATL: **STEEL**
PRESSURE: **5000 PSI**
A, B: **#12 SAE ORB**

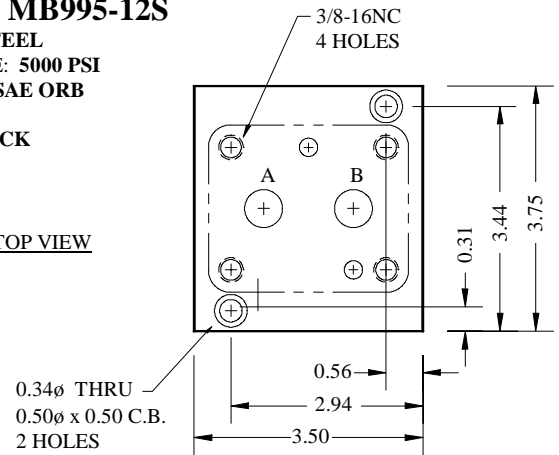


C03 - BOTTOM PORT

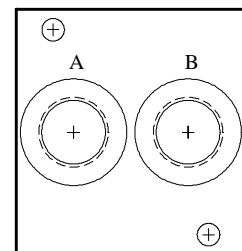
PART NO: **MB995-12S**
MATL: **STEEL**
PRESSURE: **5000 PSI**
A, B: **#12 SAE ORB**

1 1/4" THICK

TOP VIEW



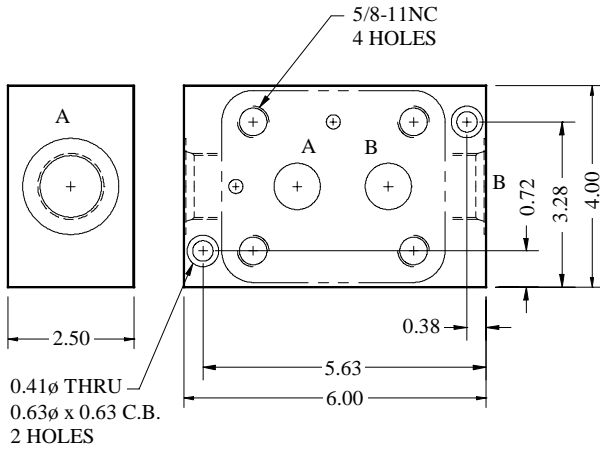
BOTTOM VIEW



Surface Mounted Valve Subplate – SAE ORB Ports

C06 - SIDE PORT

PART NO: **MB994-16S**
MATL: **STEEL**
PRESSURE: **5000 PSI**
A, B: **#16 SAE ORB**

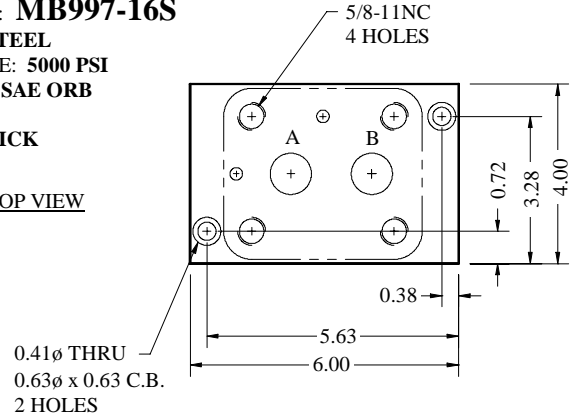


C06 - BOTTOM PORT

PART NO: **MB997-16S**
MATL: **STEEL**
PRESSURE: **5000 PSI**
A, B: **#16 SAE ORB**

1 1/2" THICK

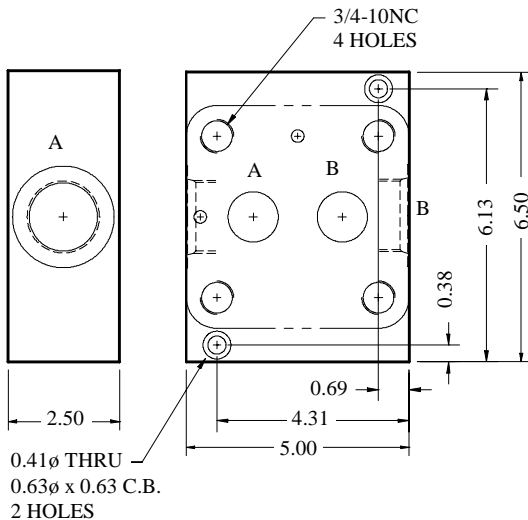
TOP VIEW



BOTTOM VIEW

C10 - SIDE PORT

PART NO: **MB996-20S**
MATL: **STEEL**
PRESSURE: **5000 PSI**
A, B: **#20 SAE ORB**

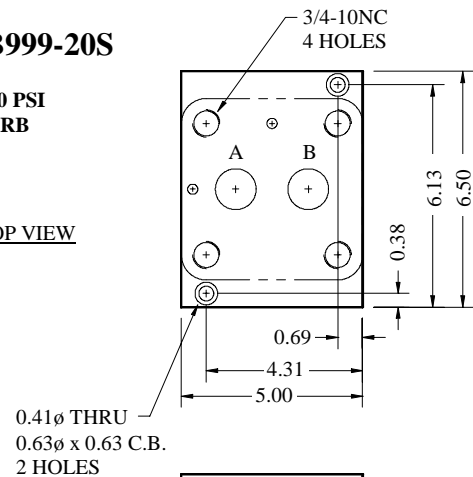


C10 - BOTTOM PORT

PART NO: **MB999-20S**
MATL: **STEEL**
PRESSURE: **5000 PSI**
A, B: **#20 SAE ORB**

2" THICK

TOP VIEW

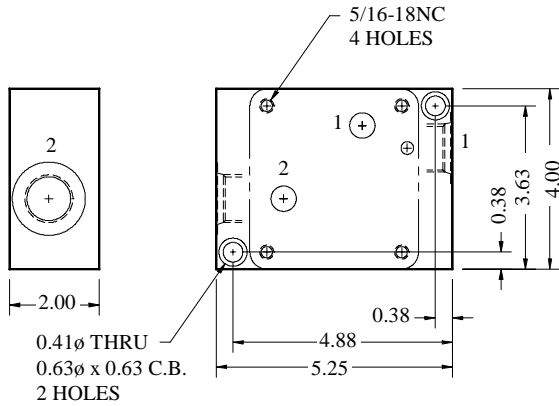


BOTTOM VIEW

Surface Mounted Valve Subplate – SAE ORB Ports

2F02 - SIDE PORT

PART NO: **MB2048-12S**
MATL: **STEEL**
PRESSURE: **5000 PSI**
1, 2: **#12 SAE ORB**



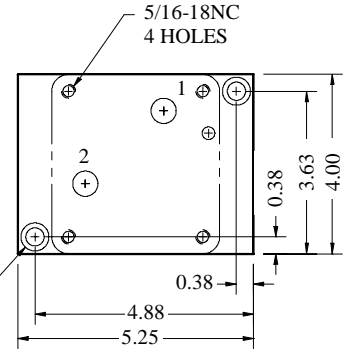
2F02 - BOTTOM PORT

PART NO: **MB991-12S**
MATL: **STEEL**
PRESSURE: **5000 PSI**
1, 2: **#12 SAE ORB**

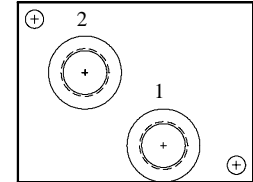
1 1/4" THICK

TOP VIEW

0.41 ϕ THRU
0.63 ϕ x 0.63 C.B.
2 HOLES

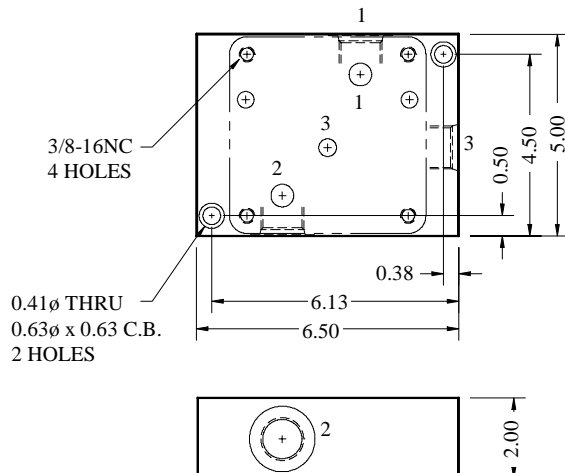


BOTTOM VIEW



2F03 - SIDE PORT

PART NO: **MB2051-12S**
MATL: **STEEL**
PRESSURE: **5000 PSI**
1, 2, 3: **#12 SAE ORB**



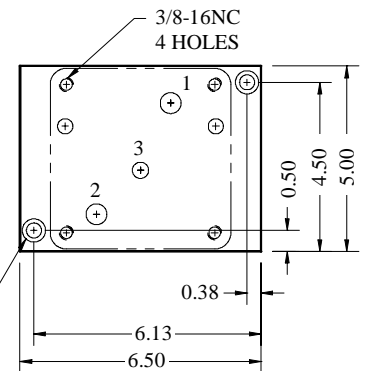
2F03 - BOTTOM PORT

PART NO: **MB993-12S**
MATL: **STEEL**
PRESSURE: **5000 PSI**
1, 2, 3: **#12 SAE ORB**

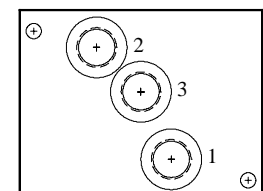
1 1/4" THICK

TOP VIEW

0.41 ϕ THRU
0.63 ϕ x 0.63 C.B.
2 HOLES



BOTTOM VIEW

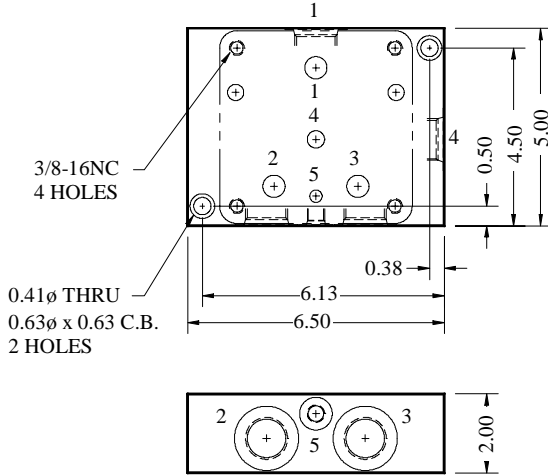


Surface Mounted Valve Subplate – SAE ORB Ports

3F03 - SIDE PORT

PART NO: **MB2056-12S**

MATL: **STEEL**
PRESSURE: **5000 PSI**
1, 2, 3, 4: **#12 SAE ORB**
5: **#4 SAE ORB**

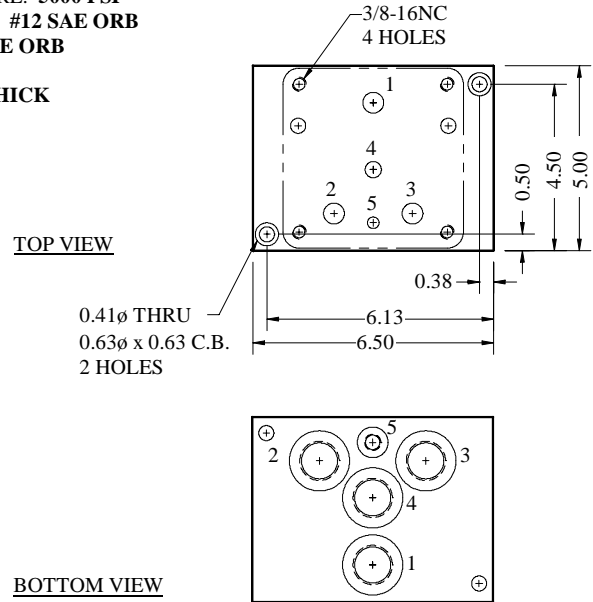


3F03 - BOTTOM PORT

PART NO: **MB998-12S**

MATL: **STEEL**
PRESSURE: **5000 PSI**
1, 2, 3, 4: **#12 SAE ORB**
5: **#4 SAE ORB**

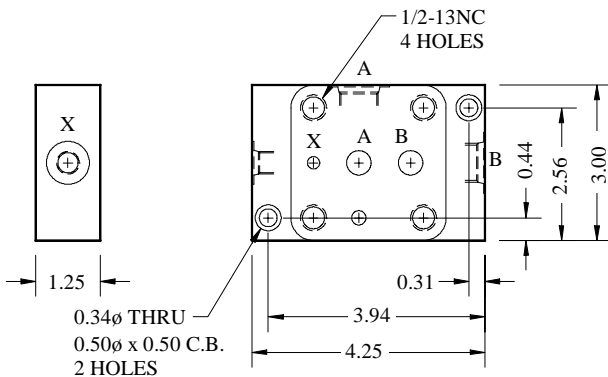
1 1/4" THICK



R06/ VICKERS CG03 - SIDE PORT

PART NO: **MB2049-8S**

MATL: **STEEL**
PRESSURE: **5000 PSI**
A, B: **#8 SAE ORB**
X: **#4 SAE ORB**

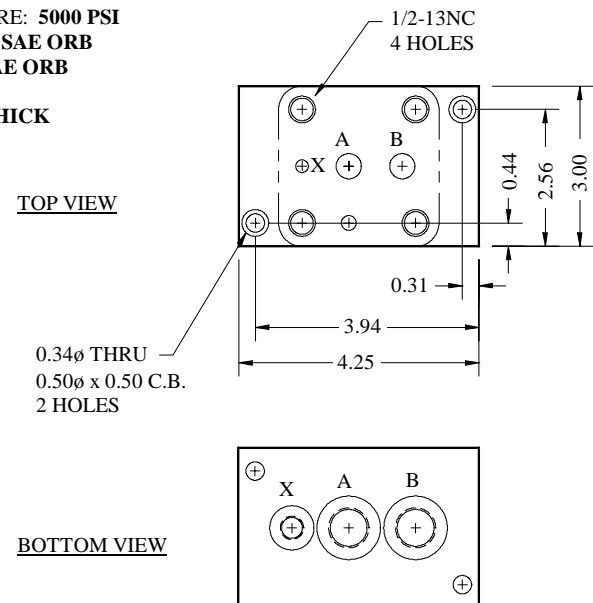


R06/ VICKERS CG03 - BOTTOM

PART NO: **MB1043-8S**

MATL: **STEEL**
PRESSURE: **5000 PSI**
A, B: **#8 SAE ORB**
X: **#4 SAE ORB**

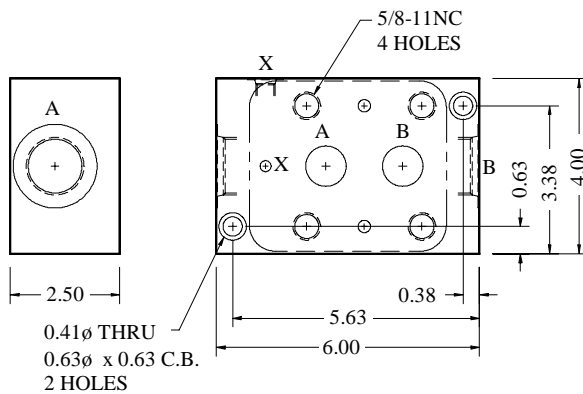
1 1/4" THICK



Surface Mounted Valve Subplate – SAE ORB Ports

R08 - SIDE PORT

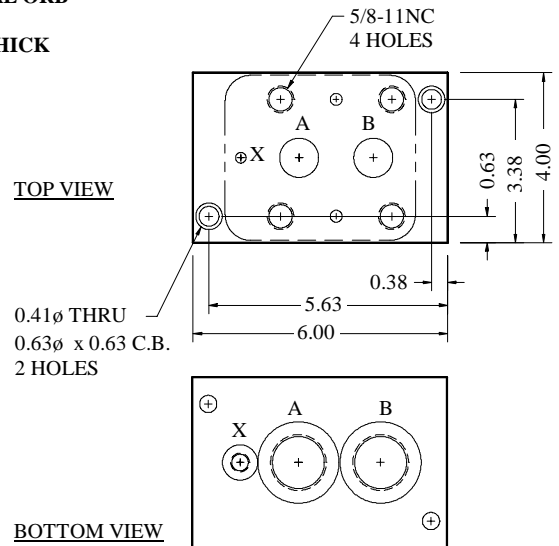
PART NO: **MB1849-16S**
MATL: **STEEL**
PRESSURE: **5000 PSI**
A, B: **#16 SAE ORB**
X: **#4 SAE ORB**



R08 - BOTTOM PORT

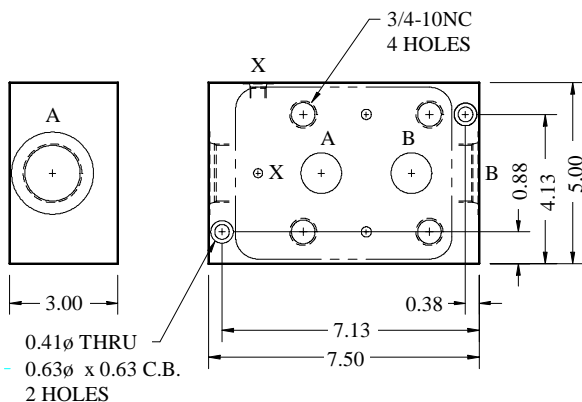
PART NO: **MB1046-16S**
MATL: **STEEL**
PRESSURE: **5000 PSI**
A, B: **#16 SAE ORB**
X: **#4 SAE ORB**

1 1/2" THICK



R10 - SIDE PORT

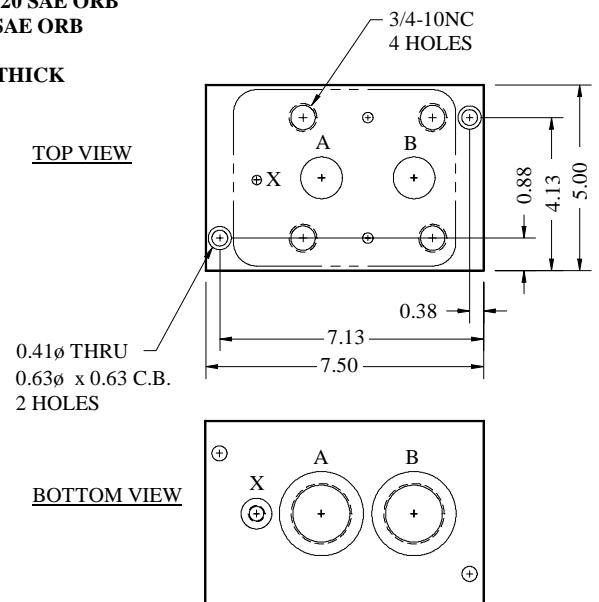
PART NO: **MB2052-20S**
MATL: **STEEL**
PRESSURE: **5000 PSI**
A, B: **#20 SAE ORB**
X: **#4 SAE ORB**



R10 - BOTTOM PORT

PART NO: **MB1049-20S**
MATL: **STEEL**
PRESSURE: **5000 PSI**
A, B: **#20 SAE ORB**
X: **#4 SAE ORB**

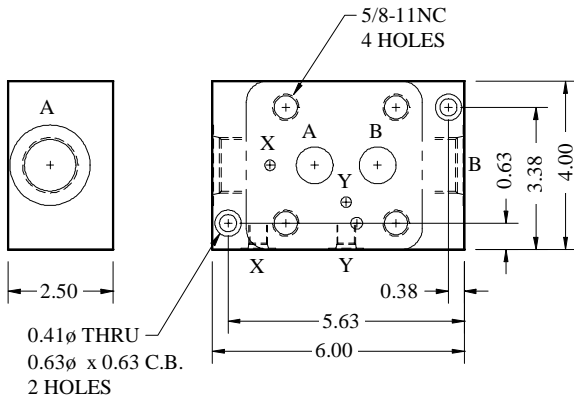
1 1/2" THICK



Surface Mounted Valve Subplate – SAE ORB Ports

VICKERS CG06 - SIDE PORT

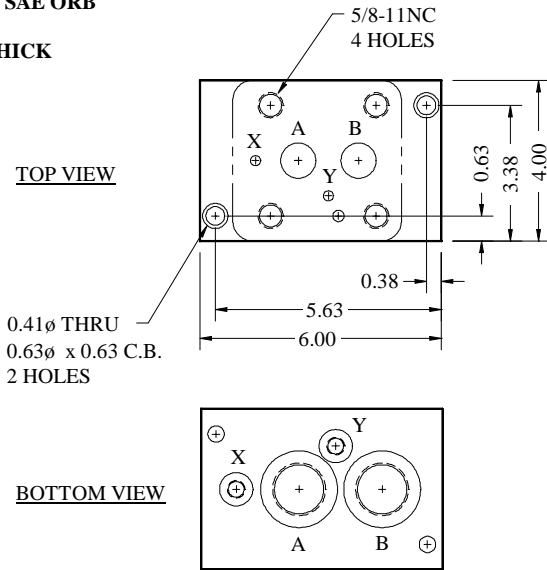
PART NO: **MB2053-16S**
MATL: **STEEL**
PRESSURE: **5000 PSI**
A, B: **#16 SAE ORB**
X, Y: **#4 SAE ORB**



VICKERS CG06 - BOTTOM PORT

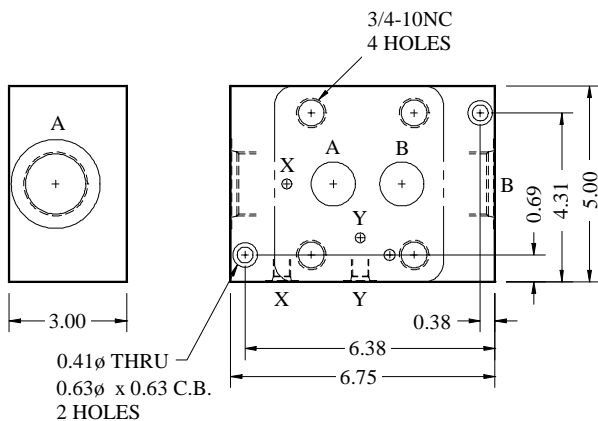
PART NO: **MB1045-16S**
MATL: **STEEL**
PRESSURE: **5000 PSI**
A, B: **#16 SAE ORB**
X, Y: **#4 SAE ORB**

1 1/2" THICK



VICKERS CG10 - SIDE PORT

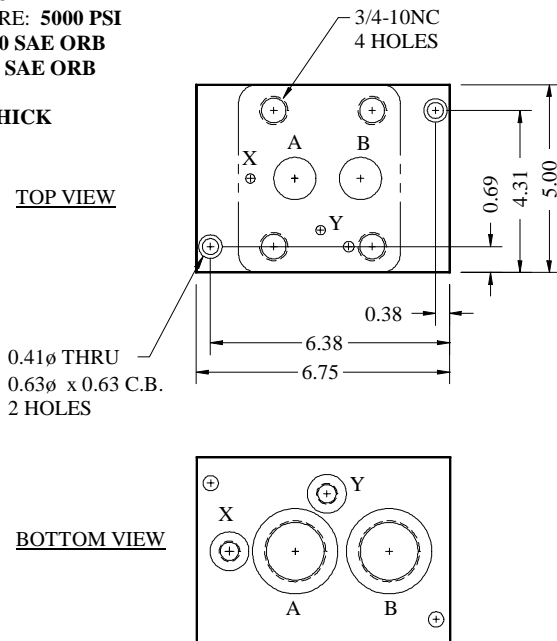
PART NO: **MB2057-20S**
MATL: **STEEL**
PRESSURE: **5000 PSI**
A, B: **#20 SAE ORB**
X, Y: **#4 SAE ORB**



VICKERS CG10 - BOTTOM PORT

PART NO: **MB1048-20S**
MATL: **STEEL**
PRESSURE: **5000 PSI**
A, B: **#20 SAE ORB**
X, Y: **#4 SAE ORB**

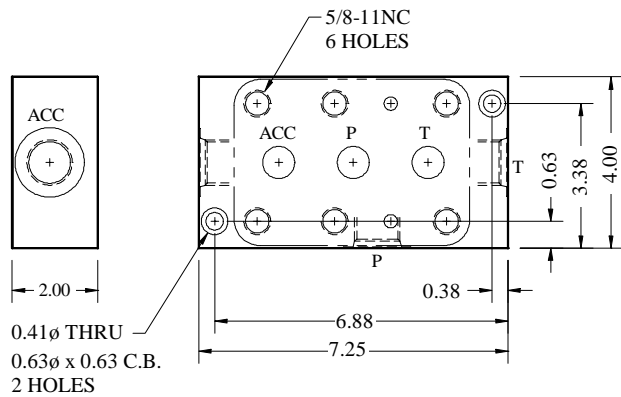
1 1/2" THICK



Surface Mounted Valve Subplate – SAE ORB Ports

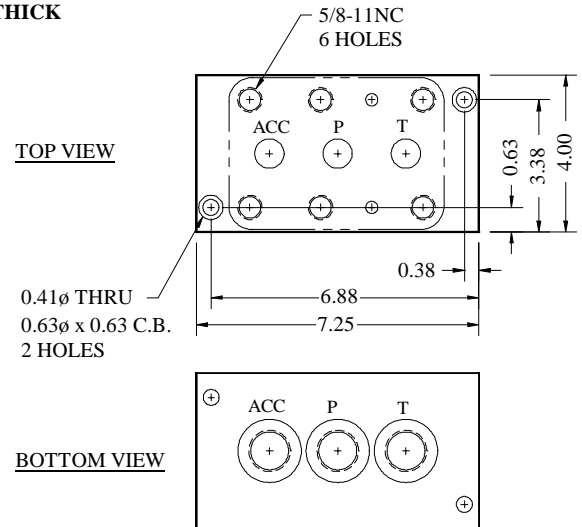
VICKERS URG06 - SIDE PORT

PART NO: **MB2054-12S**
MATL: **STEEL**
PRESSURE: **5000 PSI**
PORTS: **#12 SAE ORB**



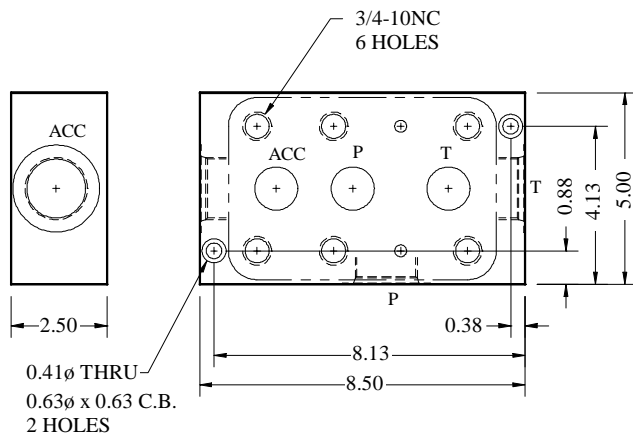
VICKERS URG06 - BOTTOM PORT

PART NO: **MB1044-12S**
MATL: **STEEL**
PRESSURE: **5000 PSI**
PORTS: **#12 SAE ORB**
1 1/4" THICK



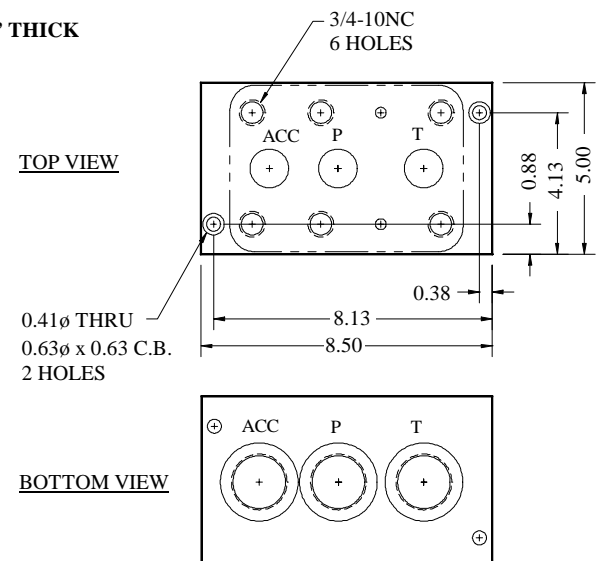
VICKERS URG10 - SIDE PORT

PART NO: **MB2058-20S**
MATL: **STEEL**
PRESSURE: **5000 PSI**
PORTS: **#20 SAE ORB**



VICKERS URG10 - BOTTOM PORT

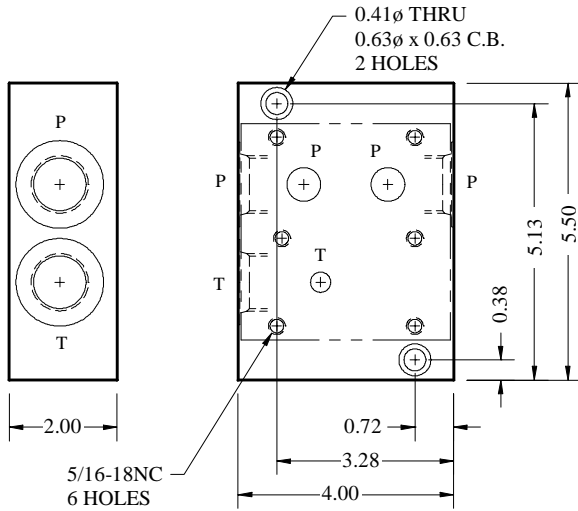
PART NO: **MB1047-20S**
MATL: **STEEL**
PRESSURE: **5000 PSI**
PORTS: **#20 SAE ORB**
1 1/2" THICK



Surface Mounted Valve Subplate – SAE ORB Ports

SUNDSTRAND 9510648 SIDE PORT - HOT OIL SHUTTLE

PART NO: **MB348-12S**
MATL: **STEEL**
PRESSURE: **5000 PSI**
P, T: **#12 SAE ORB**

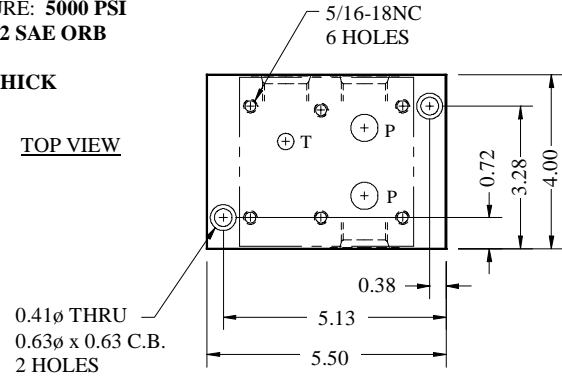


SUNDSTRAND 9510648 BOTTOM PORT - HOT OIL SHUTTLE

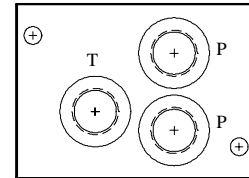
PART NO: **MB2050-12S**
MATL: **STEEL**
PRESSURE: **5000 PSI**
P, T: **#12 SAE ORB**

1 1/2" THICK

TOP VIEW



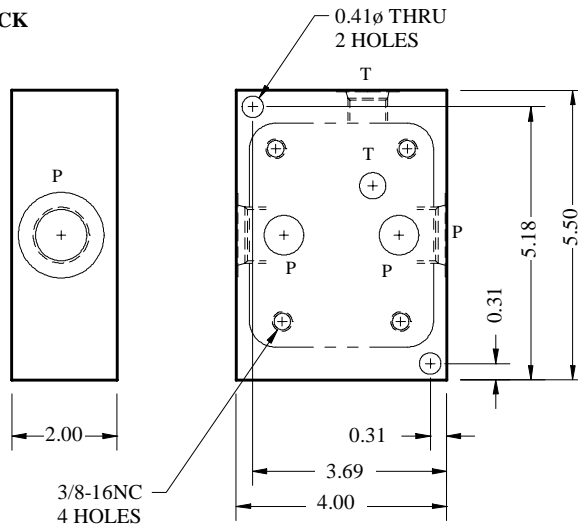
BOTTOM VIEW



EATON SIDE PORT - HOT OIL SHUTTLE

PART NO: **MB361-12S**
MATL: **STEEL**
PRESSURE: **5000 PSI**
P, T: **#12 SAE ORB**

2" THICK

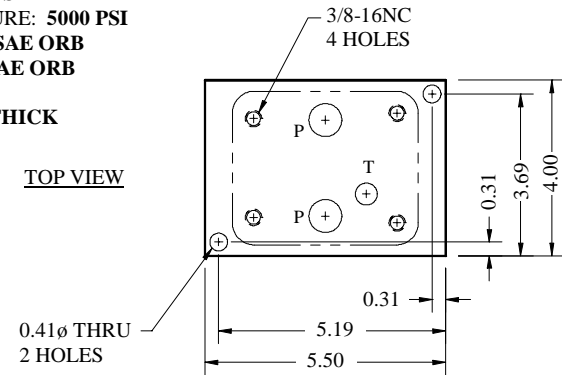


EATON BOTTOM PORT - HOT OIL SHUTTLE

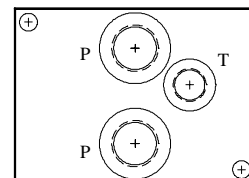
PART NO: **MB2055-12S**
MATL: **STEEL**
PRESSURE: **5000 PSI**
P: **#12 SAE ORB**
T: **#8 SAE ORB**

1 1/2" THICK

TOP VIEW



BOTTOM VIEW

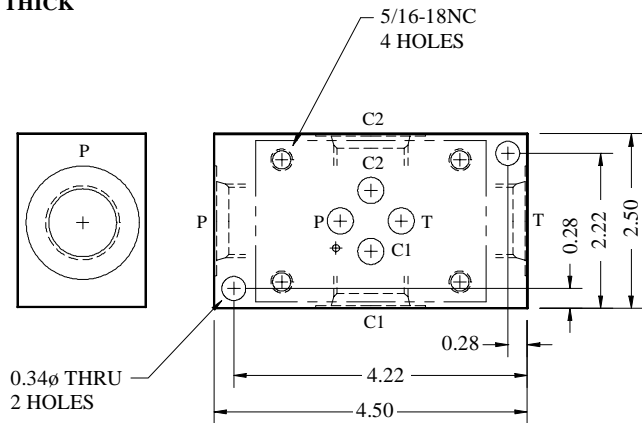


Servo Subplate - SAE ORB Side Port

ATCHLEY 215A
MOOG 62-100 SERIES
VICKERS SM4-20

PART NO: **MB139-12A**
MATL: ALUMINUM
PRESSURE: **3000 PSI**
PORTS: #12 SAE ORB

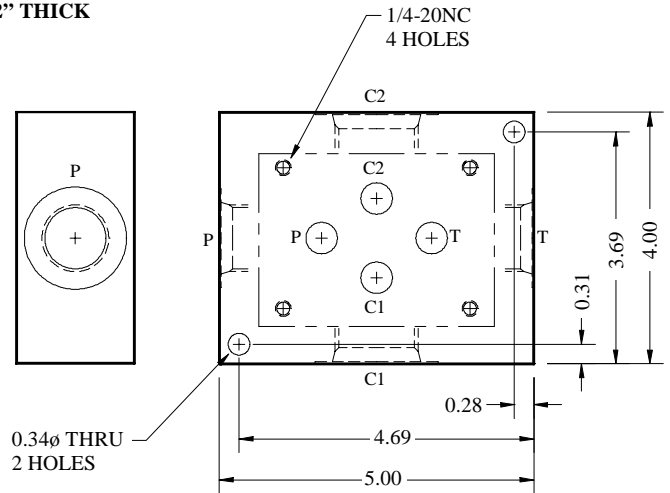
2" THICK



ATCHLEY 241
MOOG 62-300 SERIES
VICKERS SM4-30

PART NO: **MB138-12A**
MATL: ALUMINUM
PRESSURE: **3000 PSI**
PORTS: #12 SAE ORB

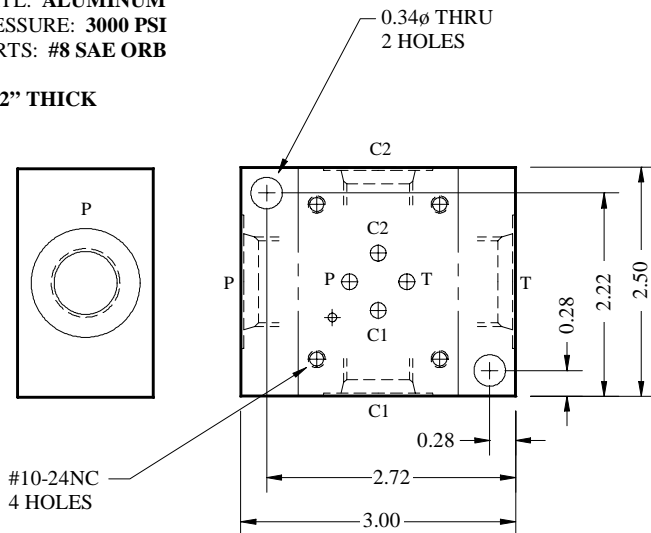
2" THICK



ATCHLEY 206/ 208A
MOOG 771
VICKERS SM4-10

PART NO: **MB410-8A**
MATL: ALUMINUM
PRESSURE: **3000 PSI**
PORTS: #8 SAE ORB

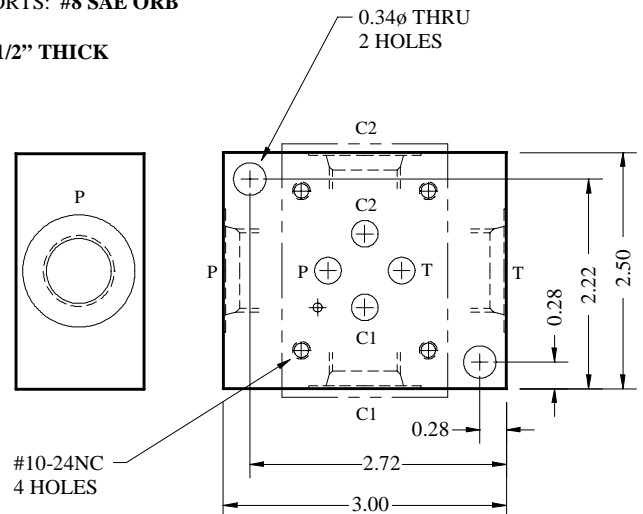
1 1/2" THICK



ATCHLEY 211A
MOOG 772

PART NO: **MB444-8A**
MATL: ALUMINUM
PRESSURE: **3000 PSI**
PORTS: #8 SAE ORB

1 1/2" THICK

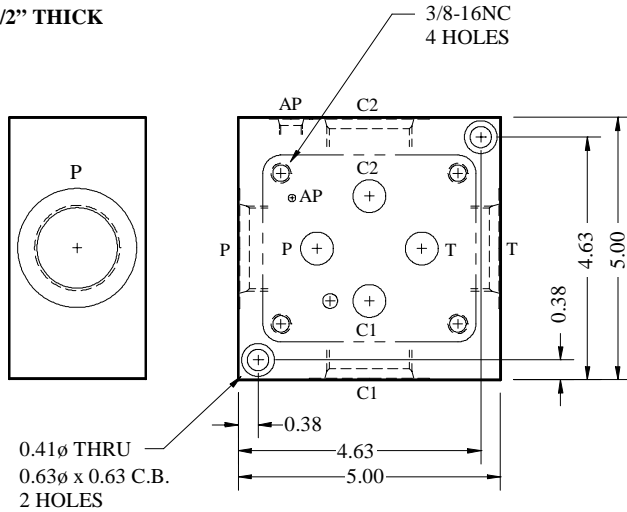


Servo Subplate – SAE ORB Side Port

MOOG 72 ATCHLEY 261

PART NO: **MB739-20A**
MATL: ALUMINUM
PRESSURE: 3000 PSI
PORTS: #20 SAE ORB
AP: #4 SAE ORB

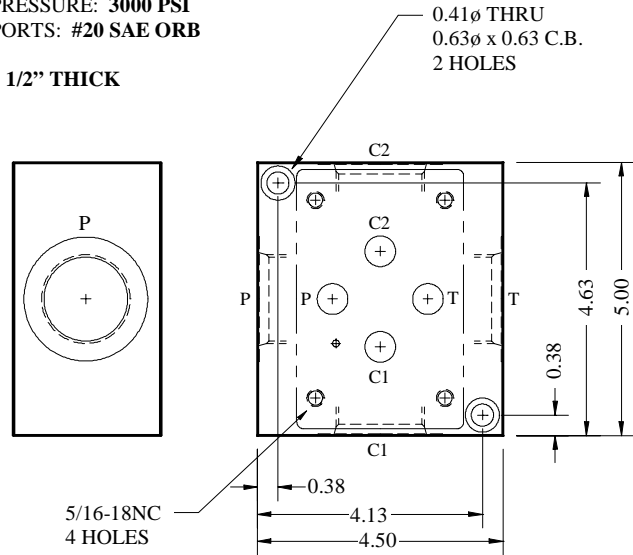
2 1/2" THICK



MOOG 78-100 SERIES ATCHLEY 240 VICKERS SM4-40

PART NO: **MB837-20A**
MATL: ALUMINUM
PRESSURE: 3000 PSI
PORTS: #20 SAE ORB

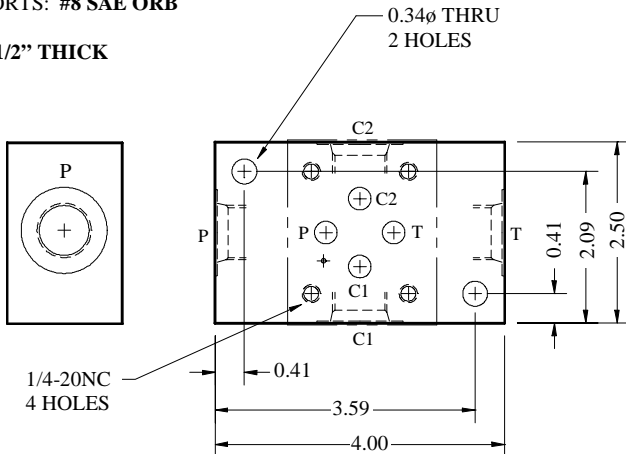
2 1/2" THICK



MOOG 773 ATCHLEY 218 VICKERS SM4-15

PART NO: **MB984-8A**
MATL: ALUMINUM
PRESSURE: 3000 PSI
PORTS: #8 SAE ORB

1 1/2" THICK



ATCHLEY 242

PART NO: **MB990-16A**
MATL: ALUMINUM
PRESSURE: 3000 PSI
PORTS: #16 SAE ORB

2" THICK

